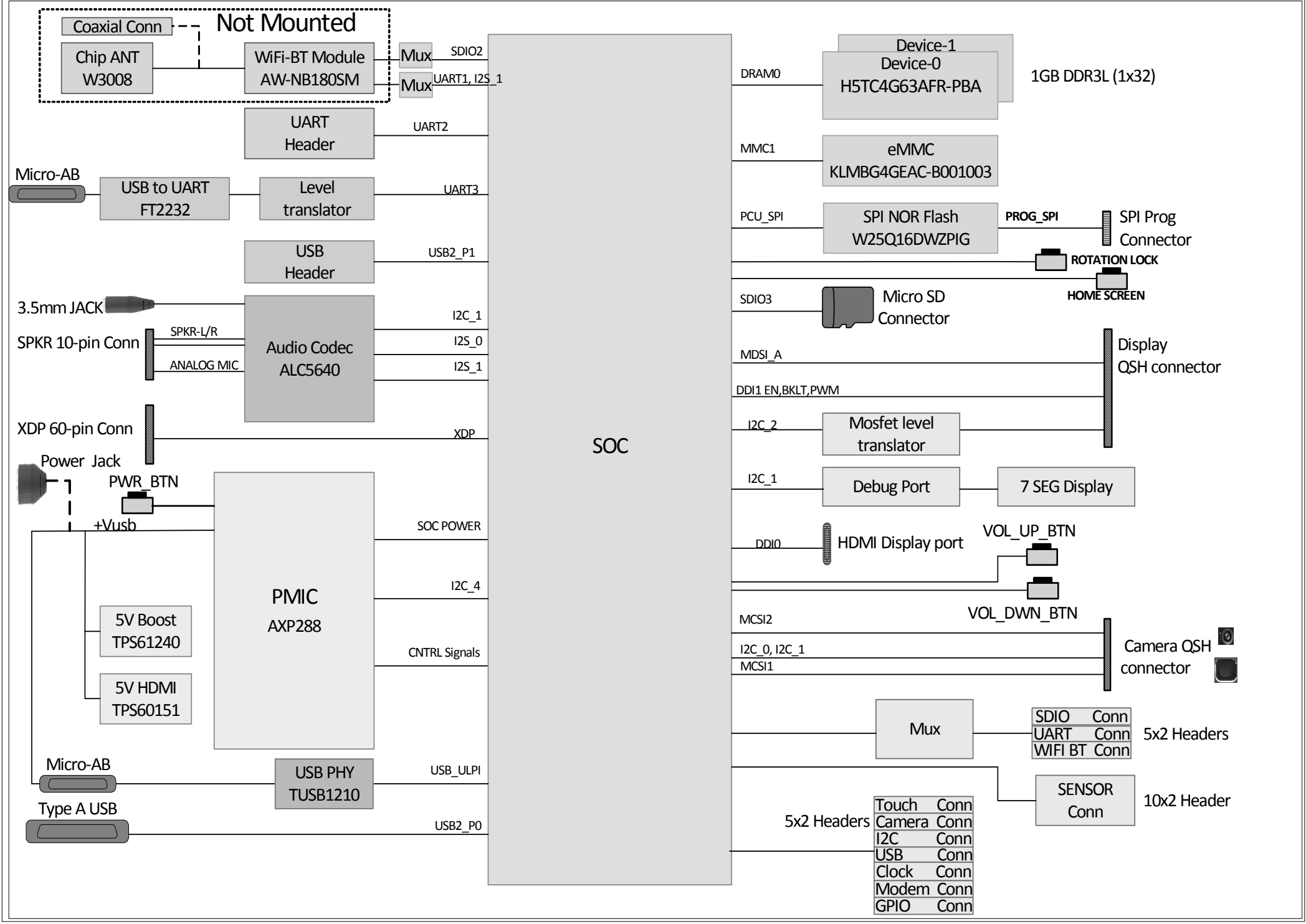


MODULE REV DETAILS		
MODULE NAME	REV	DATE

REV-B 1.0



BPAGE DRAWING

ssgn_bytcr_msd...
Tue Jun 10 07:26:29 2014

DOCUMENT_NUMBER	PAGE	REV
<DOCUMENT_NUMBER>	1	1.0

CUSTOM TEXT BPAGE

TABLE OF CONTENT & NOTES

TABLE OF CONTENTS

SHEET NO.	SHEET NAME
1	BLOCK DIAGRAM
2	TABLE OF CONTENT & NOTES
3	SOC: MEMORY
4	SOC: DISPLAY & CAMERA
5	SOC: STORAGE/I2S
6	SOC: USB/I2C
7	SOC: PMU/DFX/CLOCK/UART/SUS
8	SOC: POWER 1
9	SOC: POWER 2
10	SOC: GND
11	SOC: DECOUPLING
12	PMIC: SWITCHING REGULATORS
13	PMIC: LDOs
14	PMIC: HOST & MISC INTERFACES
15	PMIC: EXTERNAL REGULATORS
16	MEMORY DEVICE 0 & 1
17	BLANK PAGE
18	USB PHY & MUX
19	SPI NOR FLASH
20	EMMC
21	USB CONNECTOR
22	HDMI LEVEL SHIFTERS & CONNECTOR
23	HDMI CONNECTOR
24	MICRO-SD CONNECTOR
25	WIFI-BT
26	USB2.0 HOST CONNECTOR
27	AUDIO CODEC
28	AUDIO JACK
29	SPEAKERS
30	DEBUG PAGE
31	HEADER1
32	DISPLAY CONNECTOR
33	HEADER2
34	DEBUG PORT80
35	MUX FOR SDIO, UART
36	I2S0 AND I2S1
37	SWITCHES
38	CAMERA CONNECTOR
39	XDP CONNECTOR
40	PLATFORM LED & PSS
41	MOUNTING HOLES
42	EMVR

MODULE REV DETAILS

MODULE NAME	REV	DATE

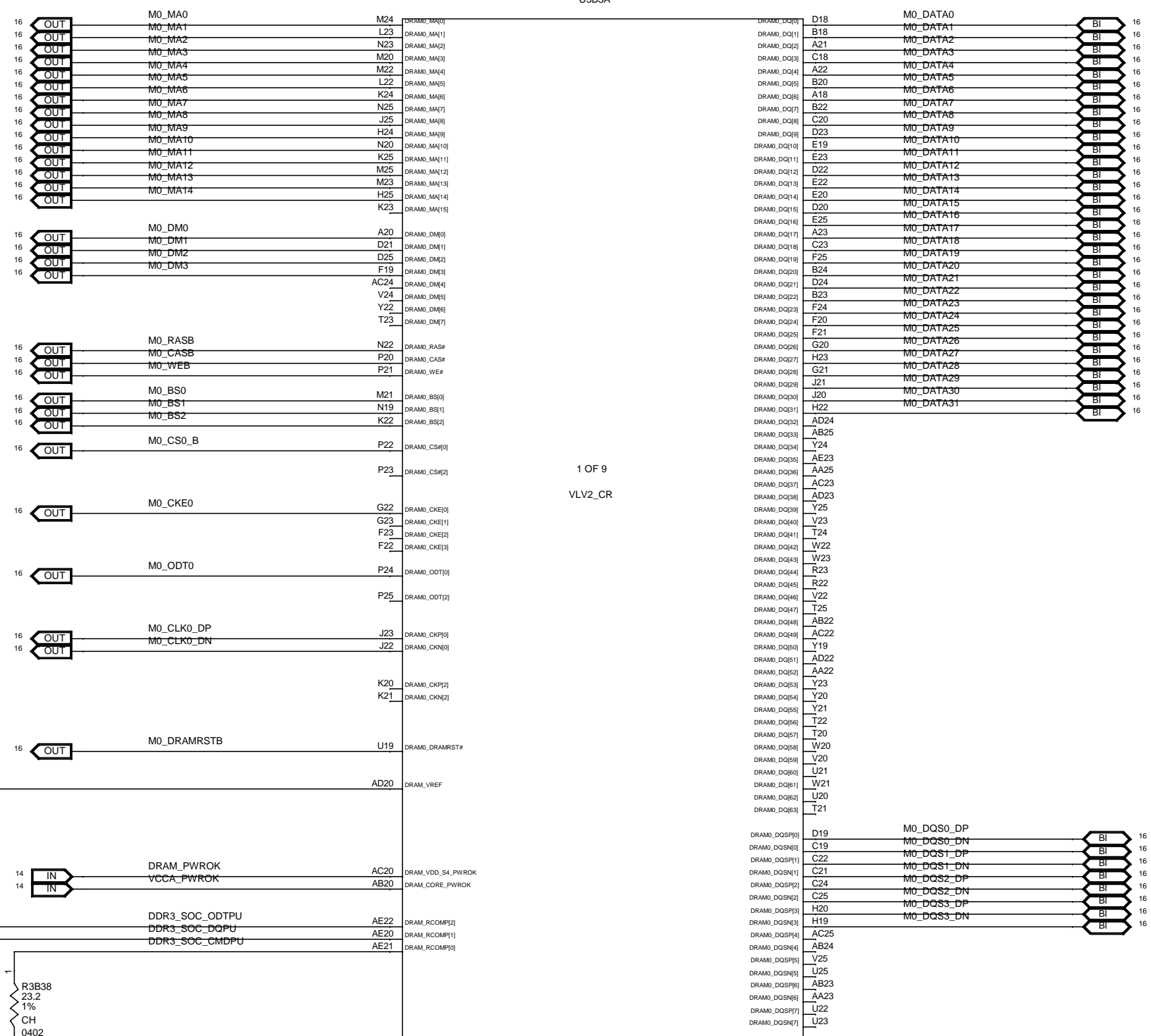
BPAGE DRAWING

ssgn_bytcr_mrd.i'w
Tue Jun 10 05:30:12 2014

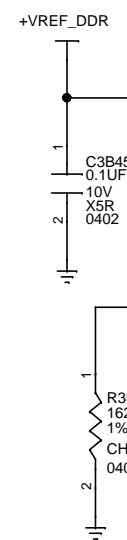
DOCUMENT_NUMBER	PAGE	REV
<DOCUMENT_NUMBER>	2	1.0

MODULE NAME	REV	DATE

BGA
U3B3A



1 OF 9
VLV2_CR



REV = 1.0

BPAGE DRAWING

ssgr_bytcr_mrd.GND
Tue Jun 10 07:26:55 2014

DOCUMENT_NUMBER	PAGE	REV
<DOCUMENT_NUMBER>	3	1.0

CUSTOM TEXT BPAGE

SOC:DISPLAY&CAMERA

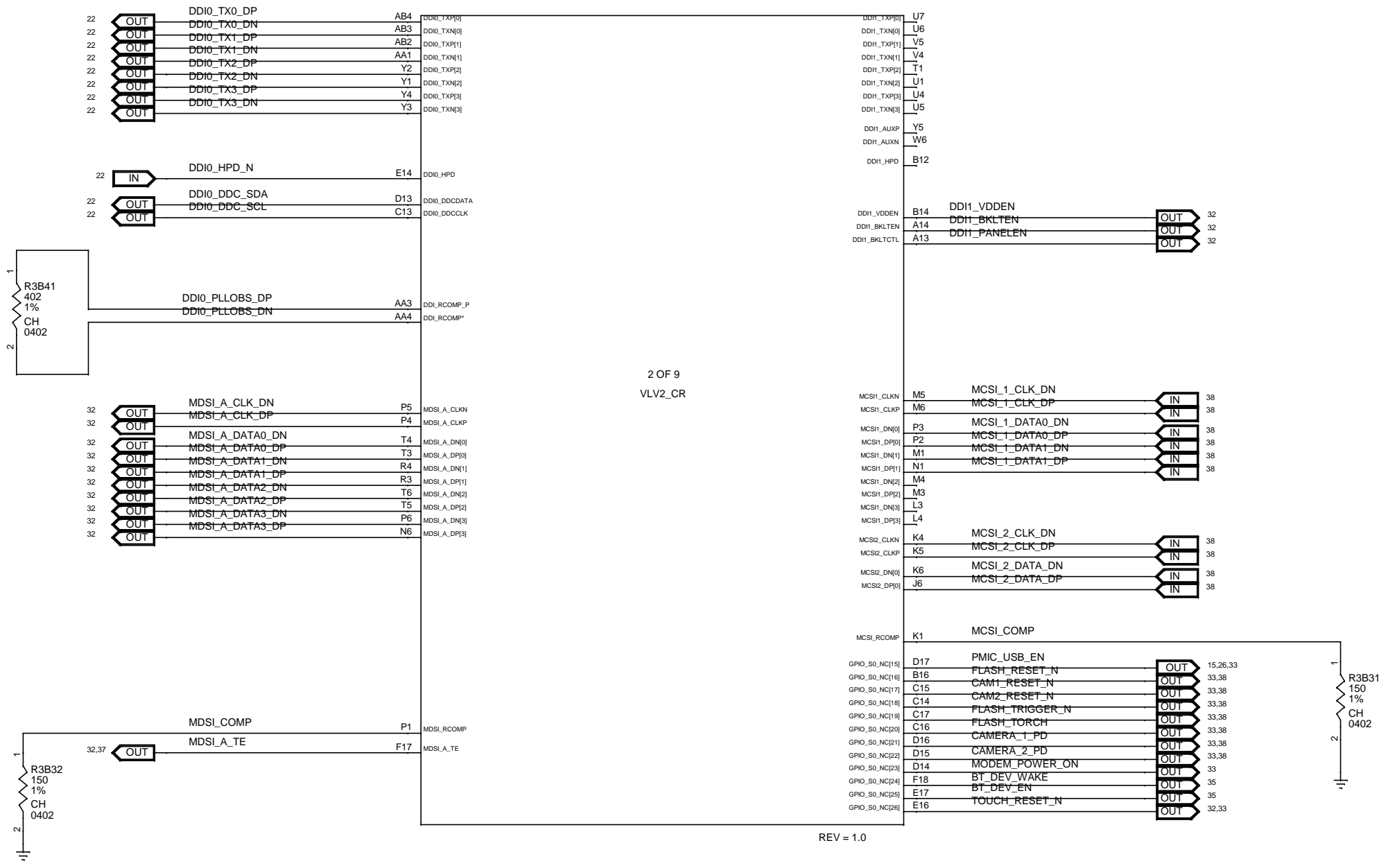
MODULE REV DETAILS

MODULE NAME	REV	DATE

BGA
U3B3B

2 OF 9
VLV2_CR

REV = 1.0



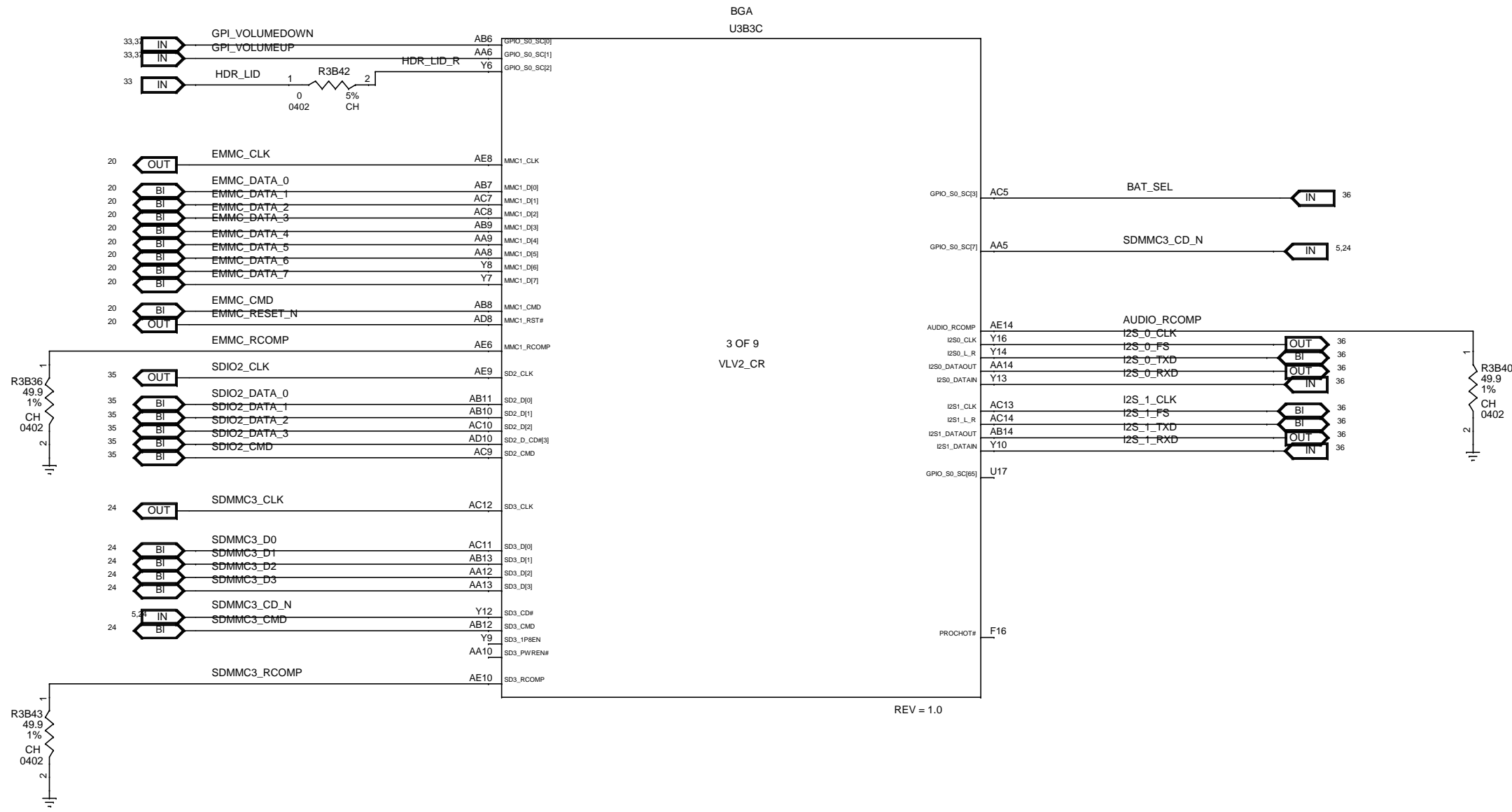
BPAGE DRAWING

ssgn_bytcr_mrd GND
Tue Jun 10 07:26:55 2014

CUSTOM TEXT BPAGE

DOCUMENT_NUMBER	PAGE	REV
<DOCUMENT_NUMBER>	4	1.0

MODULE NAME	REV	DATE



3 OF 9
VLV2_CR

REV = 1.0

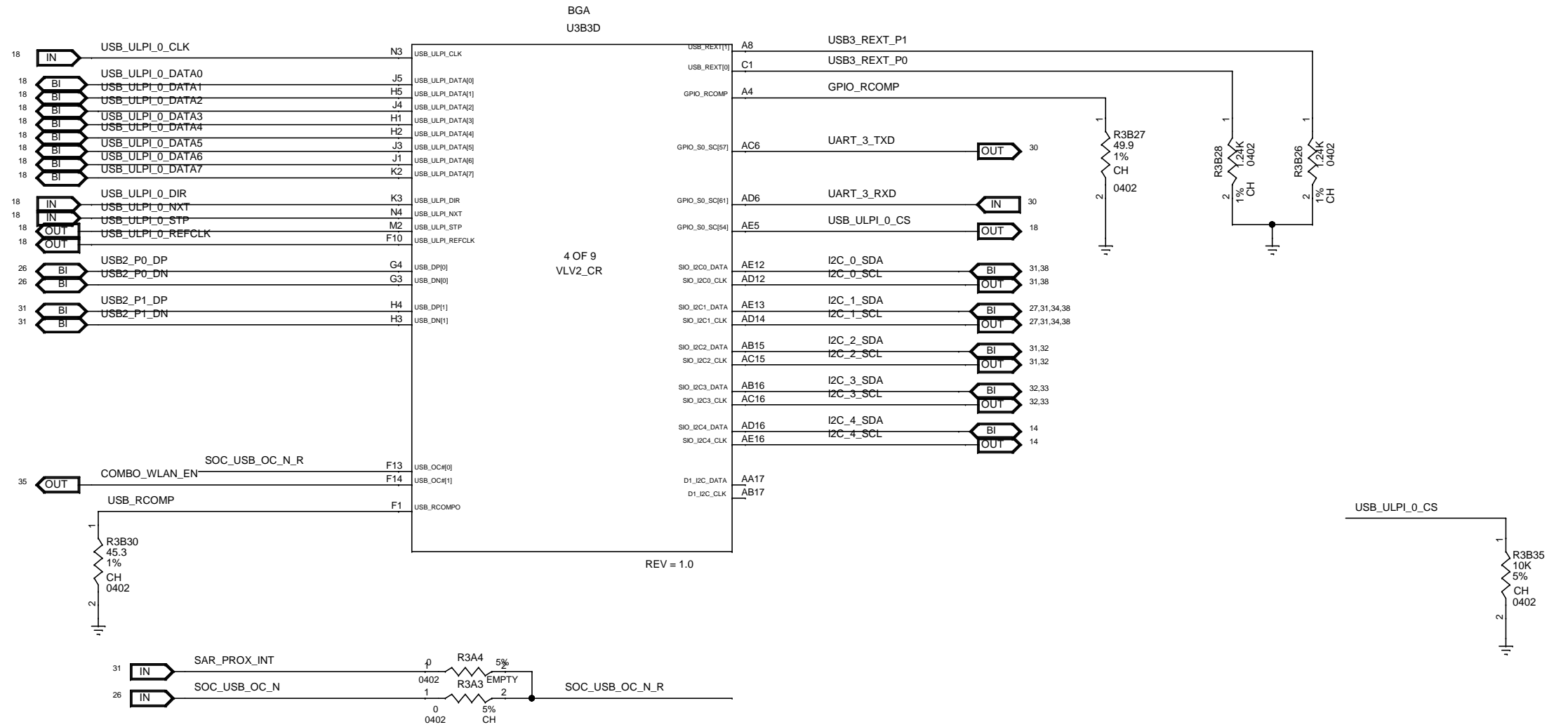
BPAGE DRAWING

ssgn_bytcr_mrd.GND
Tue Jun 10 07:26:56 2014

DOCUMENT_NUMBER	PAGE	REV
<DOCUMENT_NUMBER>	5	1.0

CUSTOM TEXT BPAGE

MODULE NAME	REV	DATE



4 OF 9
VLV2_CR

REV = 1.0

CAD NOTE: RCOMP: PLACE AS CLOSE AS POSSIBLE TO SOC. PREFERABLY TRACE RESISTANCE < 0.50OHM

BPAGE DRAWING

ssgn_bytcr_mrd.GND
Tue Jun 10 07:26:56 2014

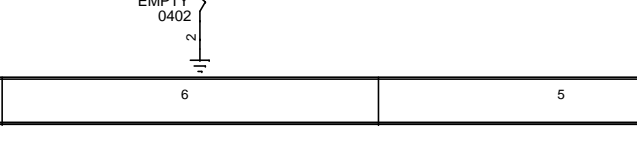
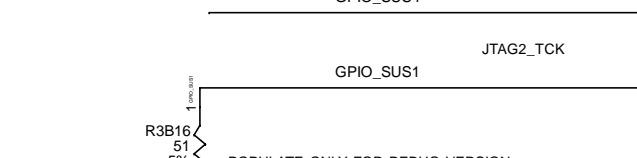
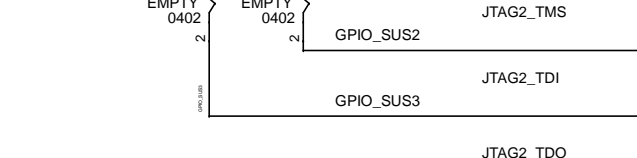
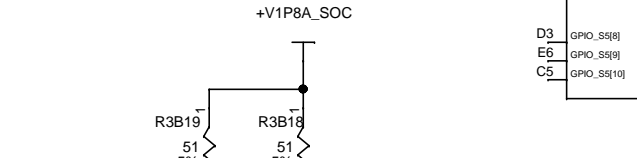
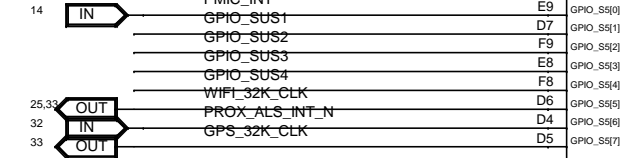
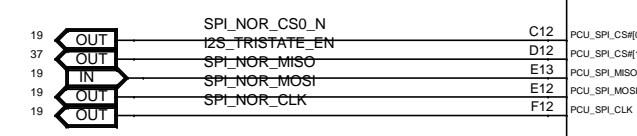
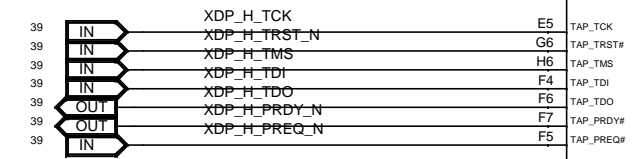
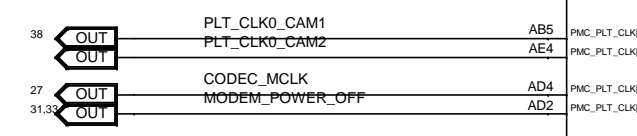
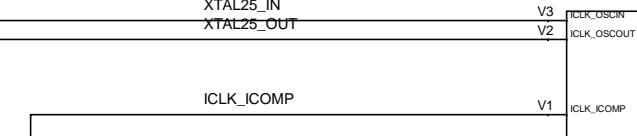
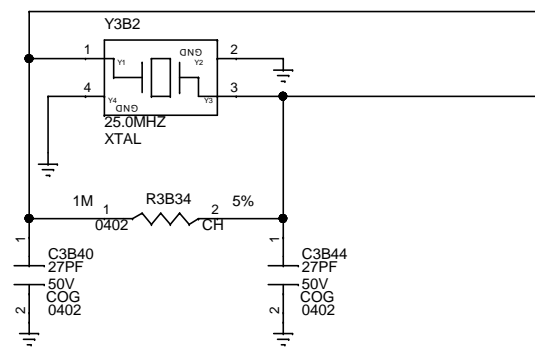
DOCUMENT_NUMBER	PAGE	REV
<DOCUMENT_NUMBER>	6	1.0

SOC:PMU/DFX/CLOCK/UART/SUS

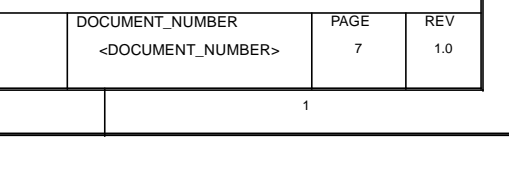
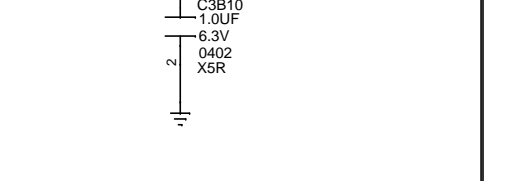
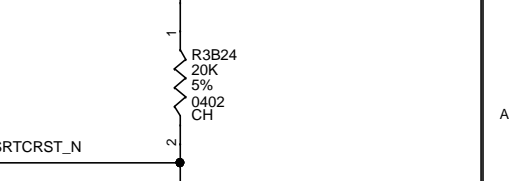
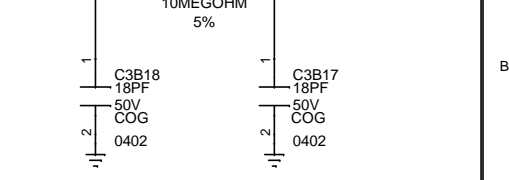
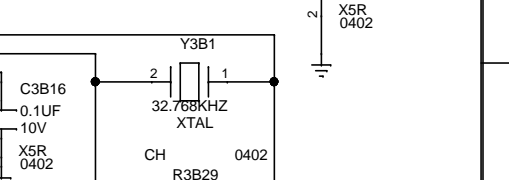
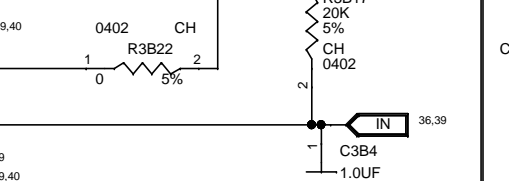
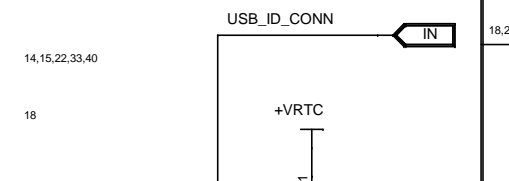
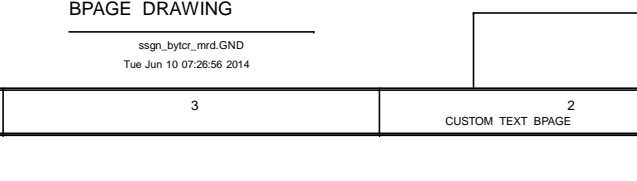
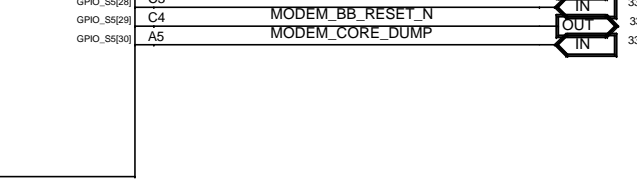
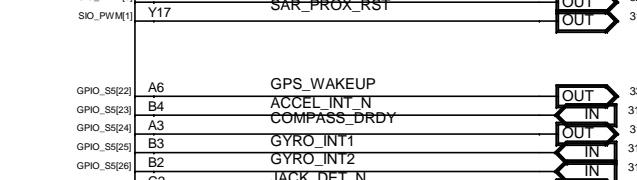
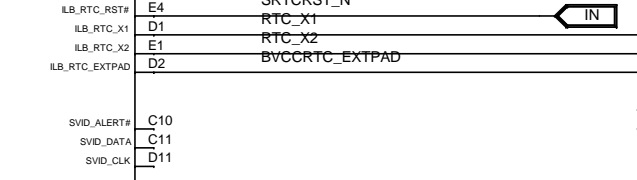
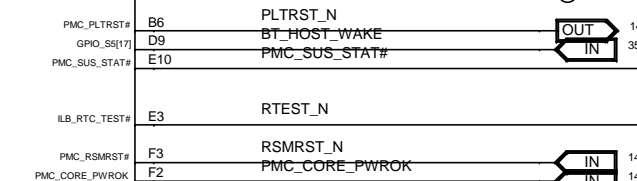
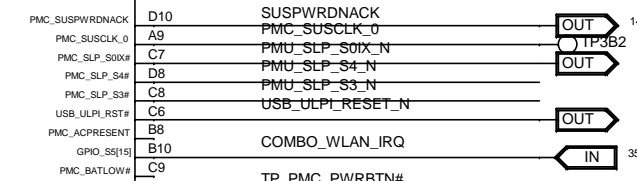
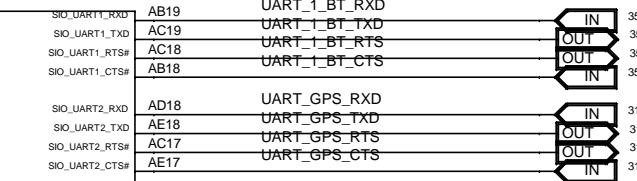
MODULE REV DETAILS

MODULE NAME	REV	DATE

BGA
U3B3E



5 OF 9
VLV2_CR



PLACE WITHIN 0.25" FROM XDP CONN

REV = 1.0

BPAGE DRAWING

ssgn_bytcr_mrd.GND
Tue Jun 10 07:26:56 2014

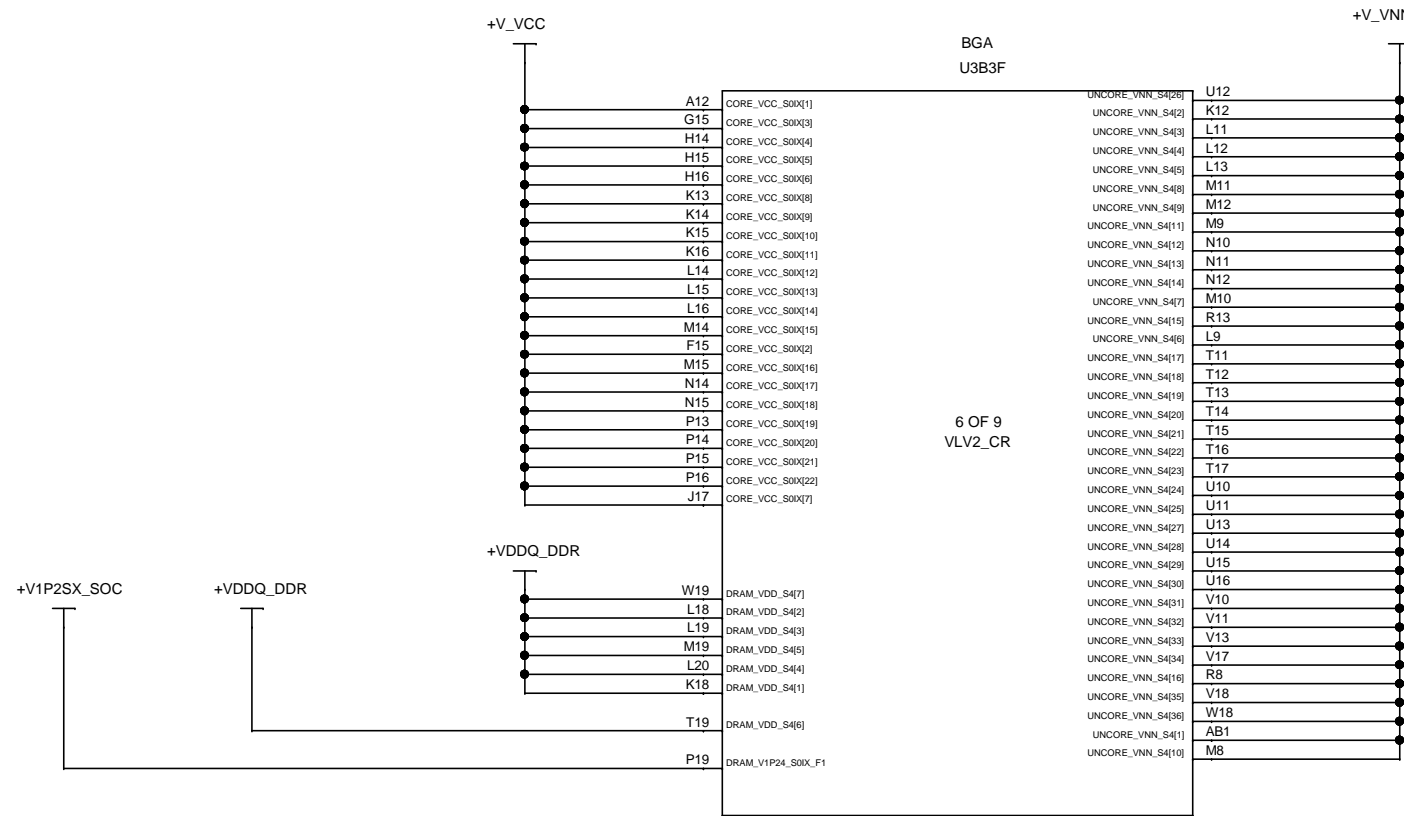
CUSTOM TEXT BPAGE

DOCUMENT_NUMBER	PAGE	REV
<DOCUMENT_NUMBER>	7	1.0

SOC:POWER 1

MODULE REV DETAILS

MODULE NAME	REV	DATE



REV = 1.0

BPAGE DRAWING

ssgn_bytcr_mrd.+V1P2.8
Tue Jun 10 07:26:57 2014

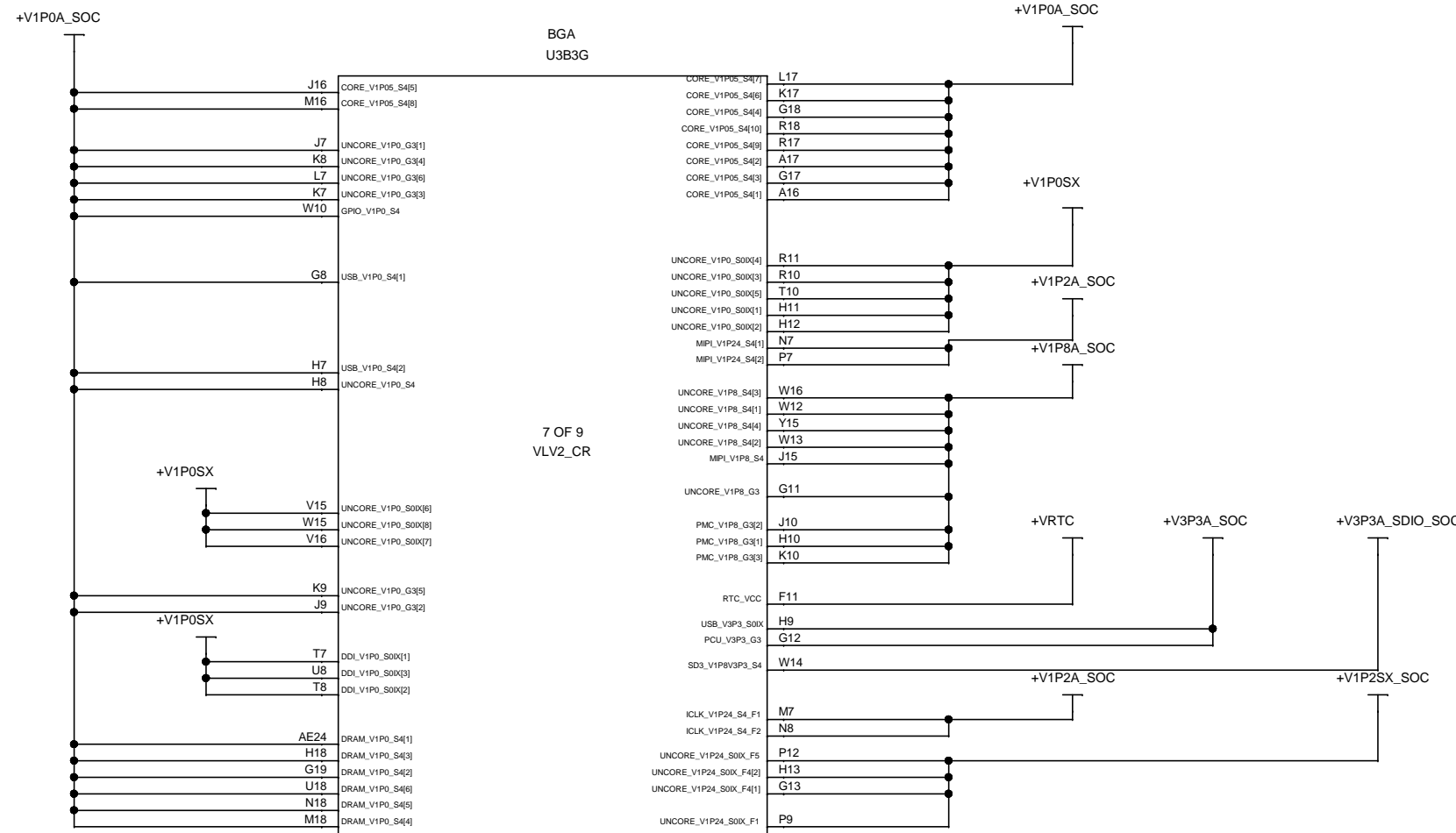
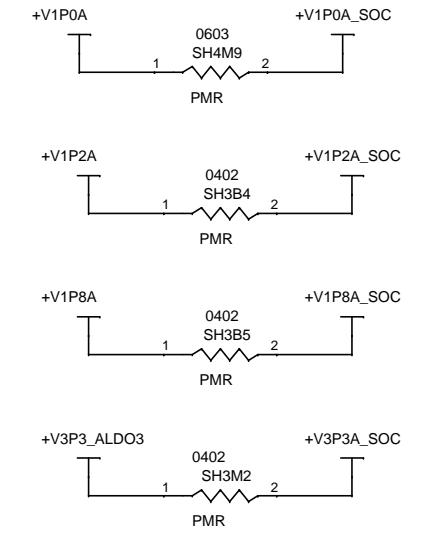
CUSTOM TEXT BPAGE

DOCUMENT_NUMBER	PAGE	REV
<DOCUMENT_NUMBER>	8	1.0

SOC:POWER 2

MODULE REV DETAILS

MODULE NAME	REV	DATE



REV = 1.0

BPAGE DRAWING

ssgn_bytcr_mrd+V1P0.9
Tue Jun 10 07:26:57 2014

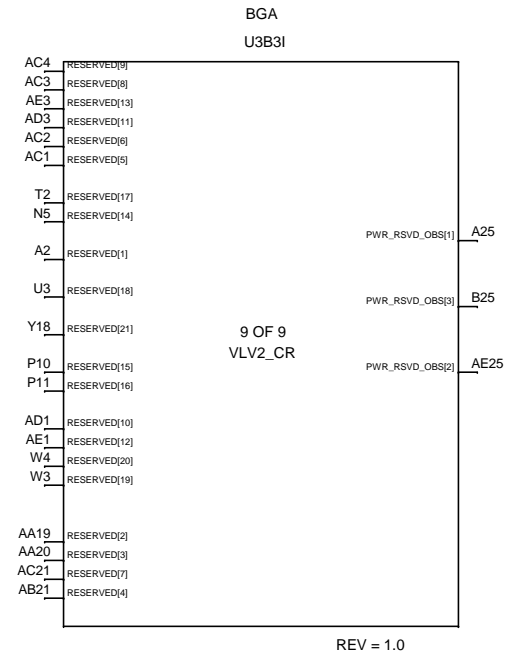
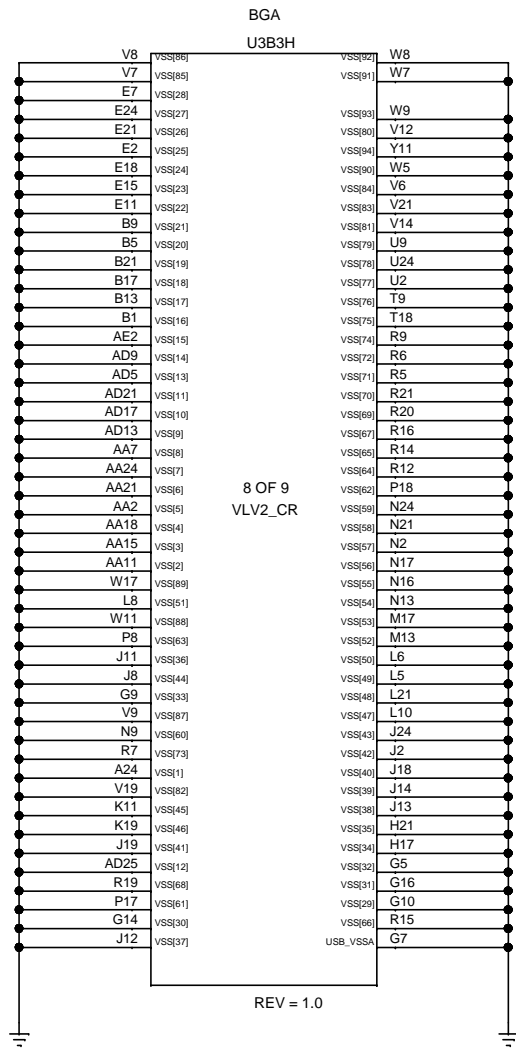
CUSTOM TEXT BPAGE

DOCUMENT_NUMBER	PAGE	REV
<DOCUMENT_NUMBER>	9	1.0

SOC:GND

MODULE REV DETAILS

MODULE NAME	REV	DATE



BPAGE DRAWING

ssgn_bytcr_mrd.GND
Tue Jun 10 07:26:57 2014

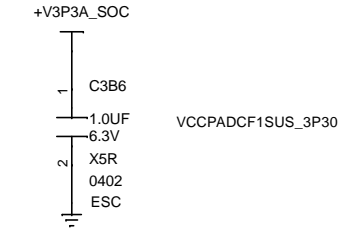
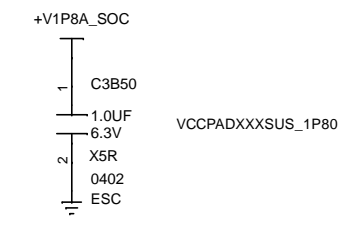
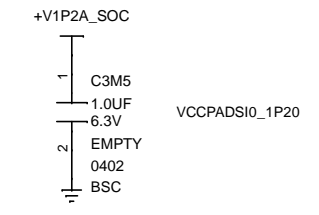
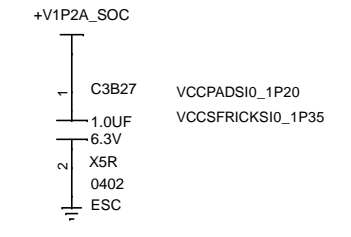
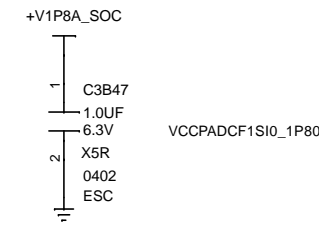
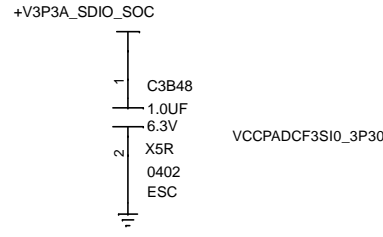
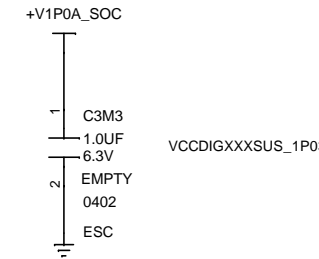
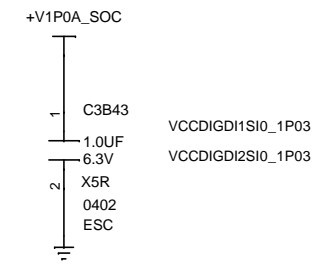
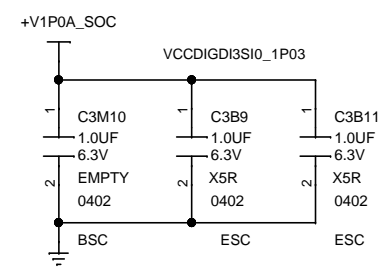
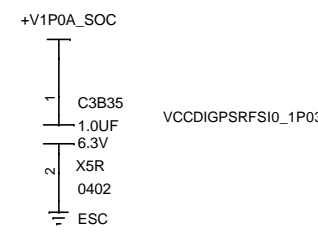
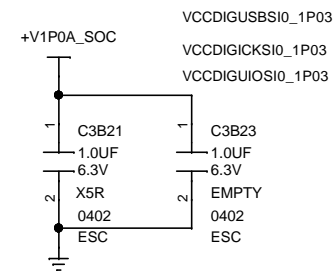
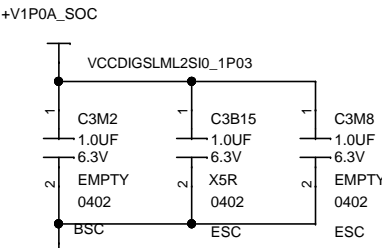
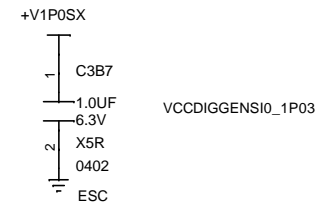
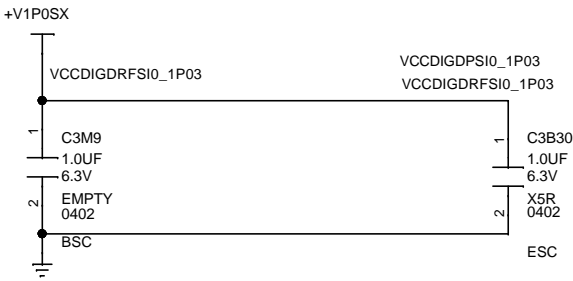
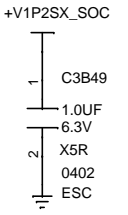
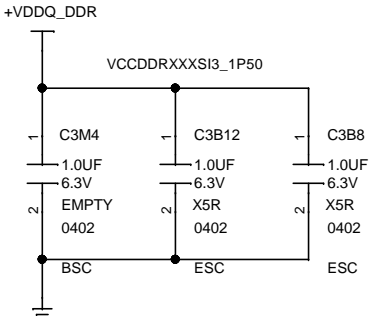
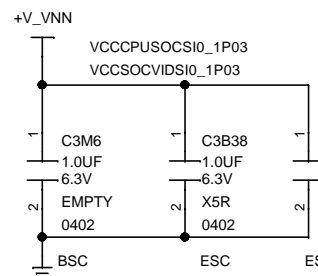
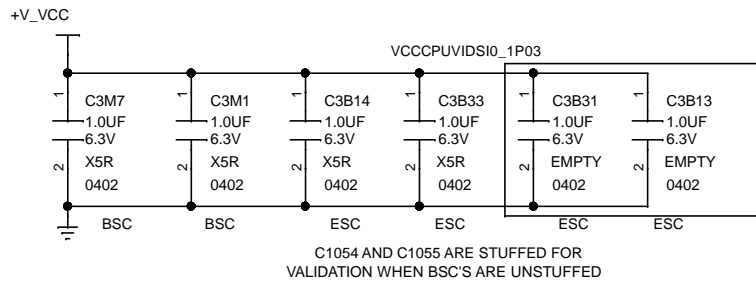
CUSTOM TEXT BPAGE

DOCUMENT_NUMBER	PAGE	REV
<DOCUMENT_NUMBER>	10	1.0

SOC:DECOUPLING

MODULE REV DETAILS

MODULE NAME	REV	DATE



BPAGE DRAWING

ssgn_bytcr_mrd+v_VC.11
Tue Jun 10 07:26:57 2014

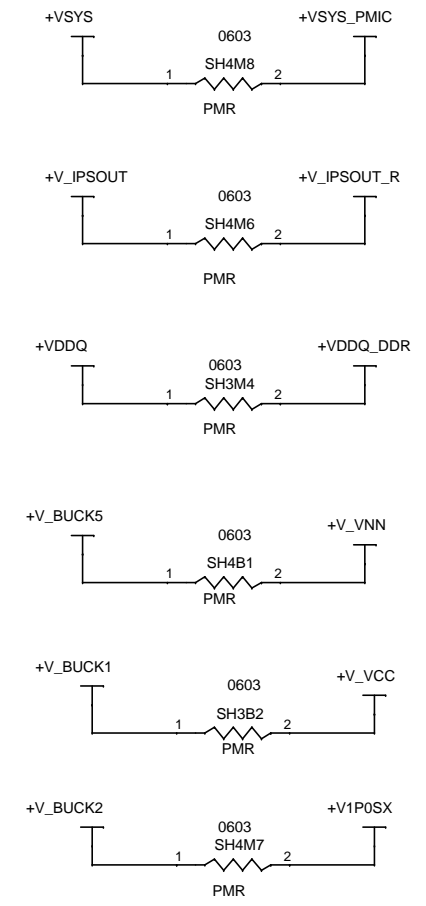
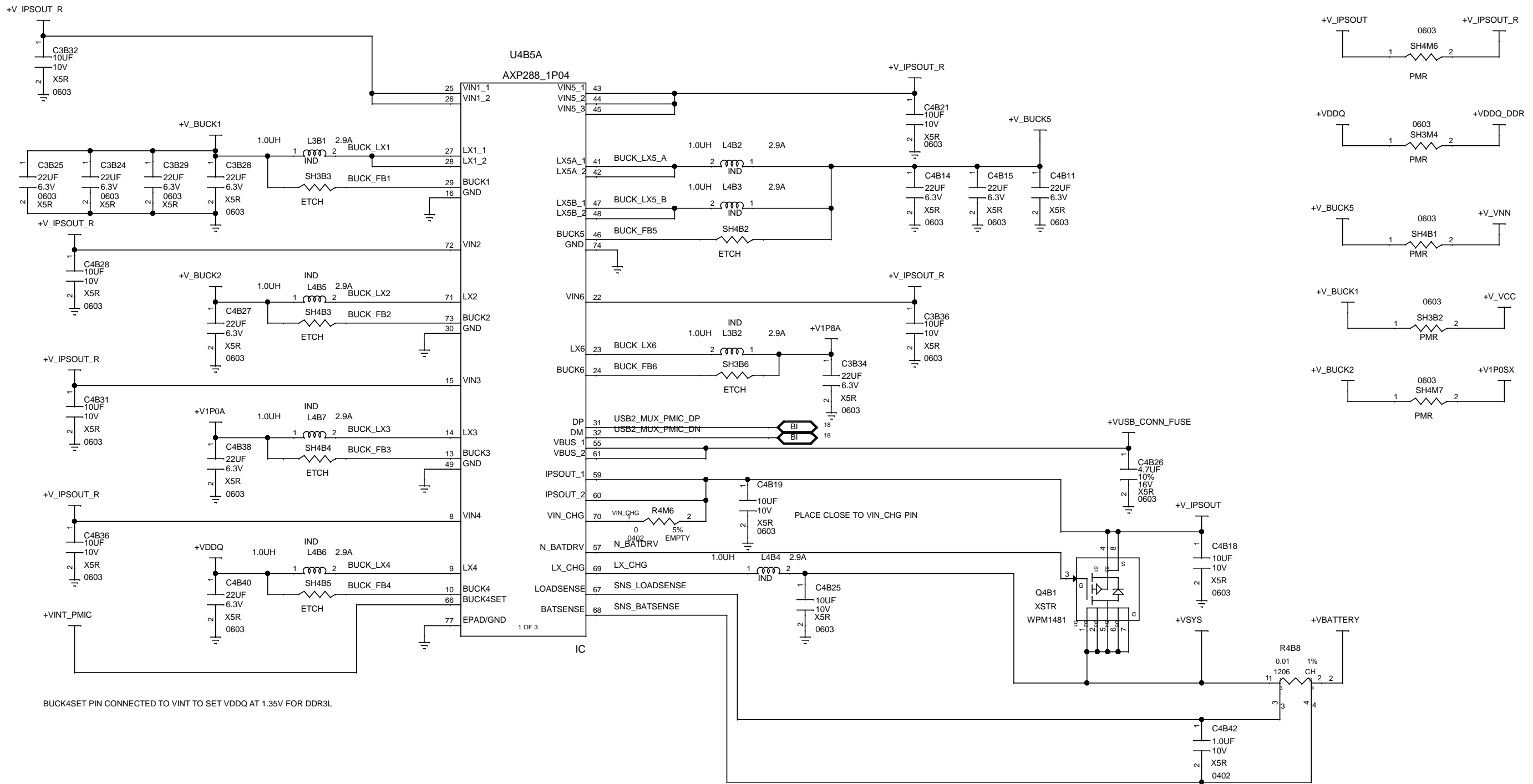
DOCUMENT_NUMBER	PAGE	REV
<DOCUMENT_NUMBER>	11	1.0

CUSTOM TEXT BPAGE

PMIC: SWITCHING REGULATORS

MODULE REV DETAILS

MODULE NAME	REV	DATE
<DOCUMENT_NUMBER>	12	1.0



BPAGE DRAWING

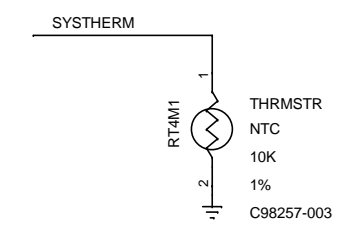
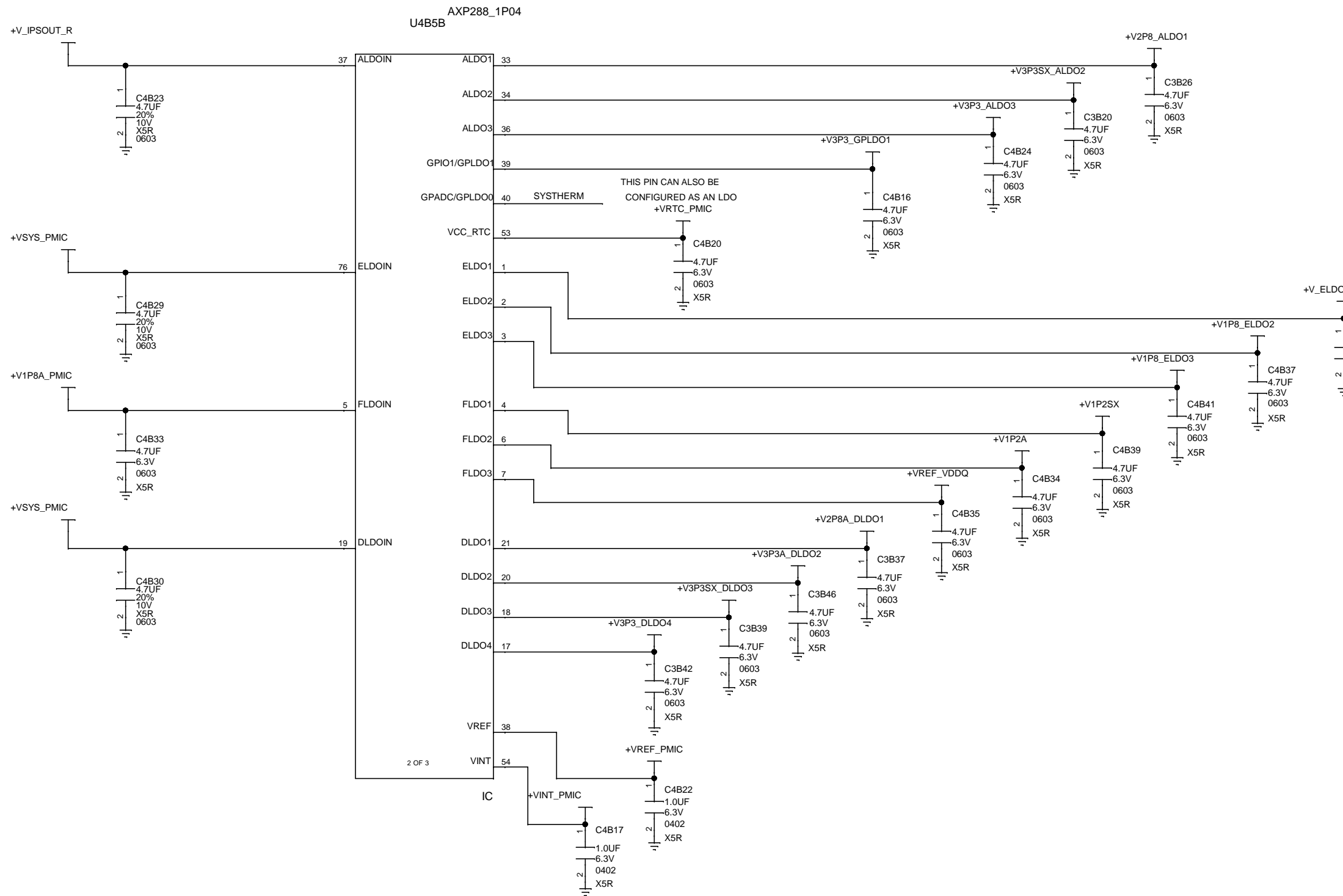
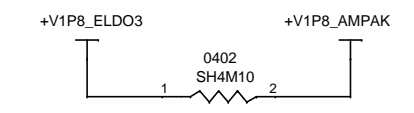
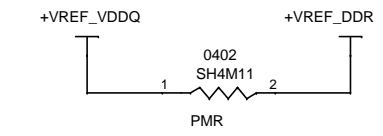
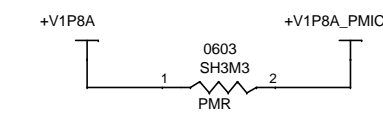
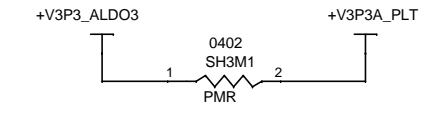
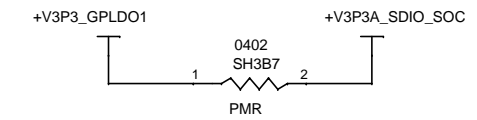
ssgn_bytcr_mrd.GND
Tue Jun 10 07:26:58 2014

DOCUMENT_NUMBER	PAGE	REV
<DOCUMENT_NUMBER>	12	1.0

PMIC: LDOS

MODULE REV DETAILS

MODULE NAME	REV	DATE
<DOCUMENT_NUMBER>	13	1.0



BPAGE DRAWING

ssgn_bytcr_mrd.+V1P8.13
Tue Jun 10 07:26:58 2014

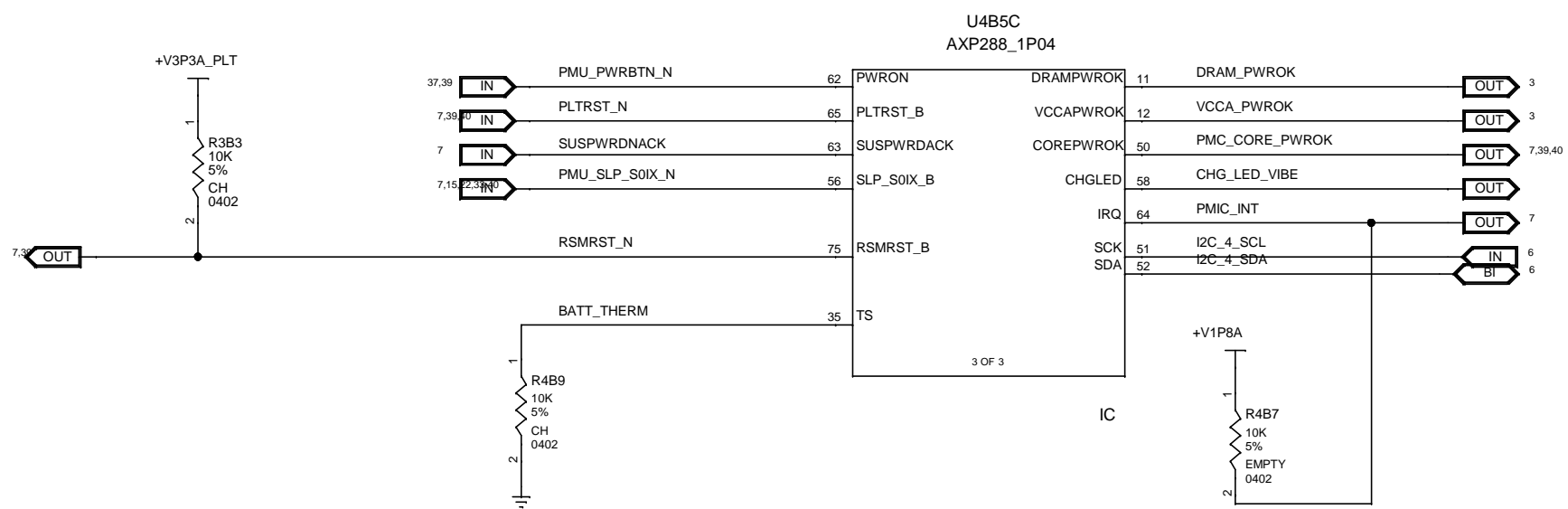
DOCUMENT_NUMBER	PAGE	REV
<DOCUMENT_NUMBER>	13	1.0

CUSTOM TEXT BPAGE

PMIC: HOST & MISC INTERFACES

MODULE REV DETAILS

MODULE NAME	REV	DATE



BPAGE DRAWING

ssgn_bytcr_mrd.+V3P3.14
Tue Jun 10 07:26:58 2014

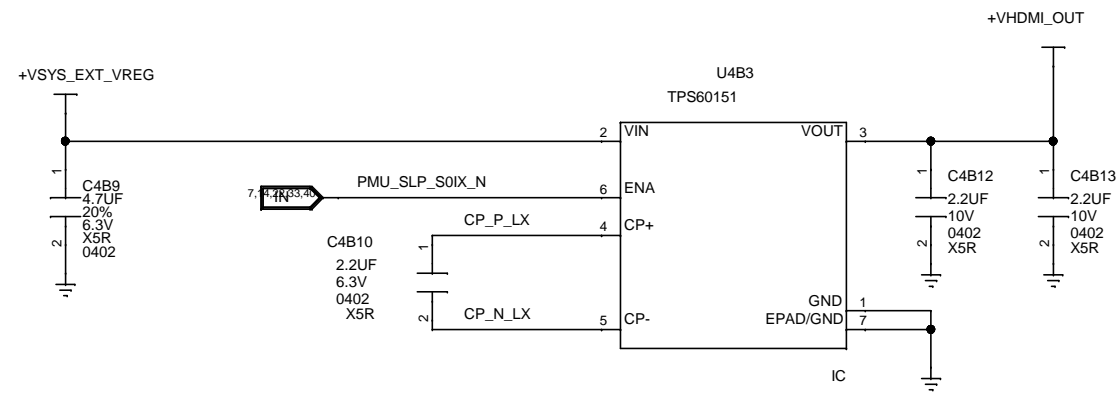
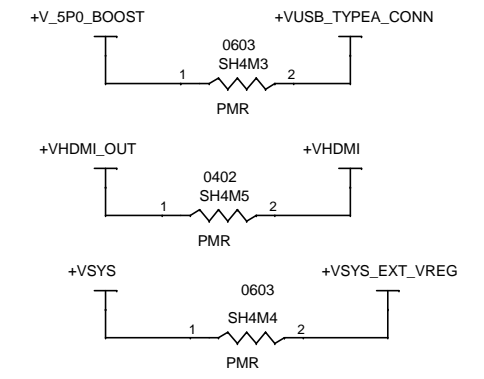
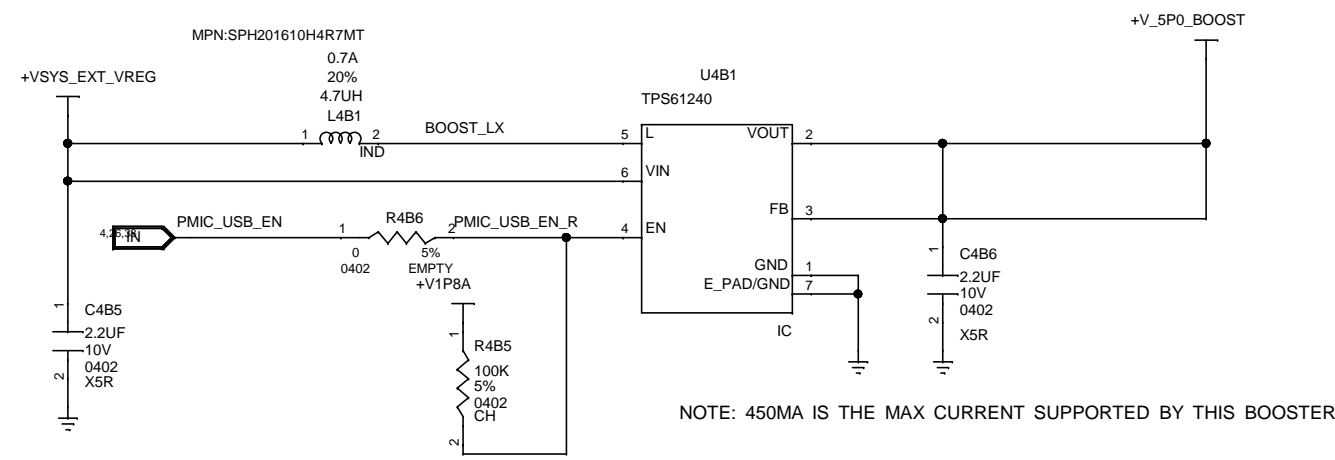
2
CUSTOM TEXT BPAGE

DOCUMENT_NUMBER	PAGE	REV
<DOCUMENT_NUMBER>	14	1.0

PMIC: EXTERNAL REGULATORS

MODULE REV DETAILS

MODULE NAME	REV	DATE



BPAGE DRAWING

ssgn_bytcr_mrd.GND
Tue Jun 10 07:26:58 2014

CUSTOM TEXT BPAGE

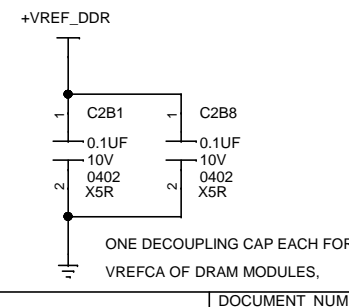
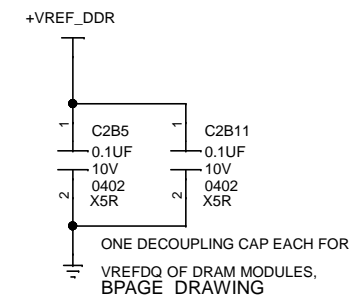
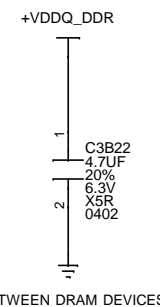
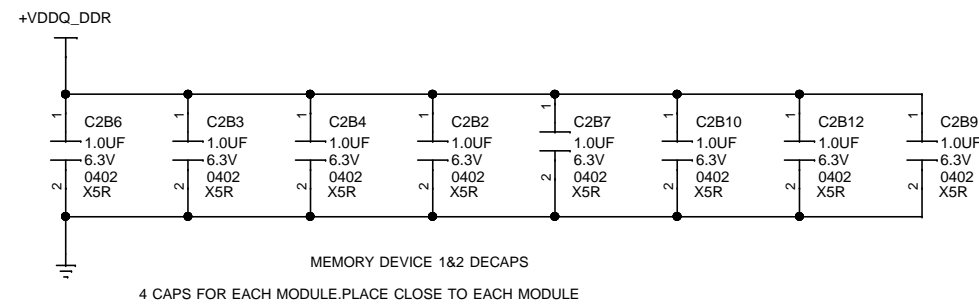
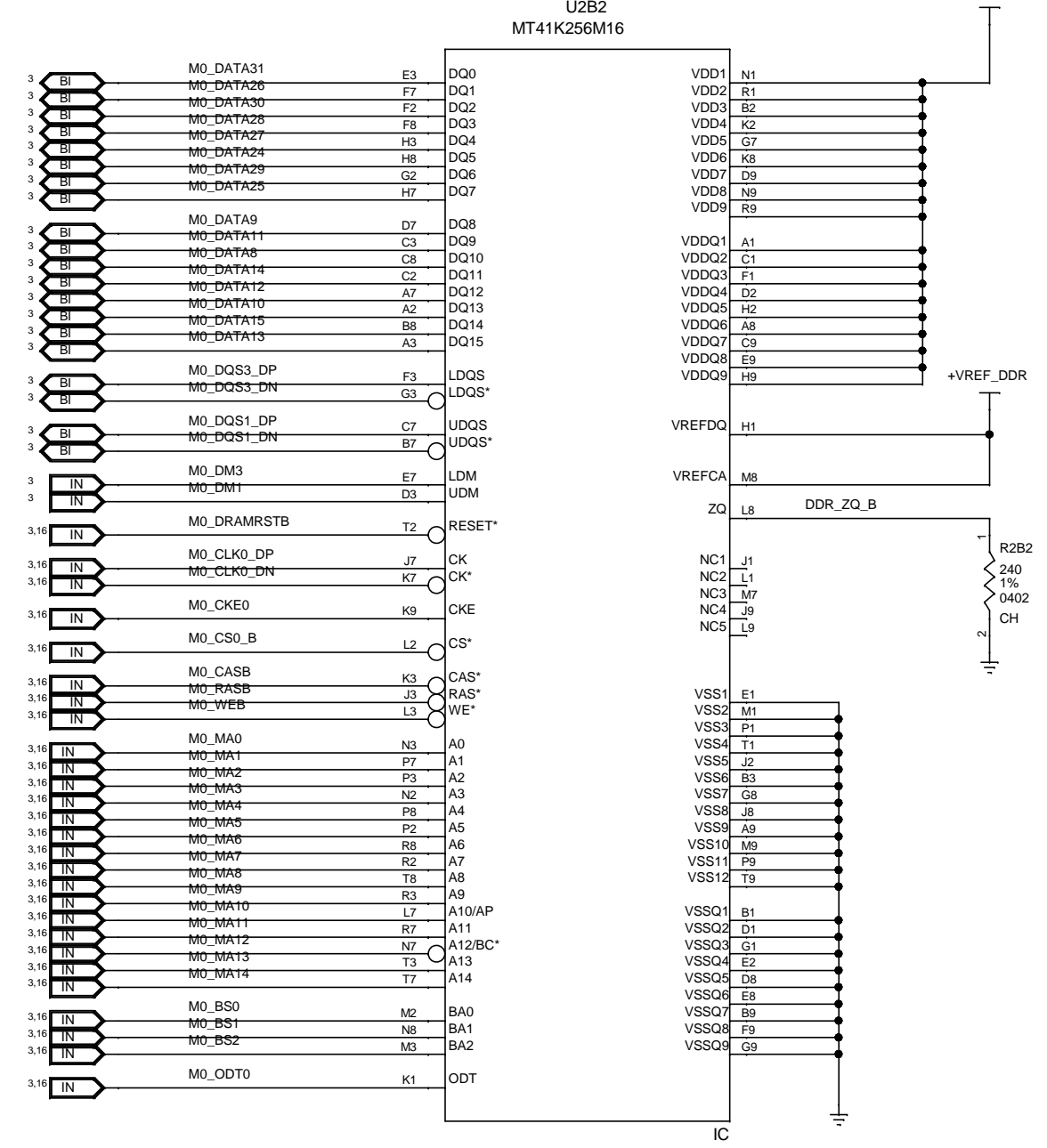
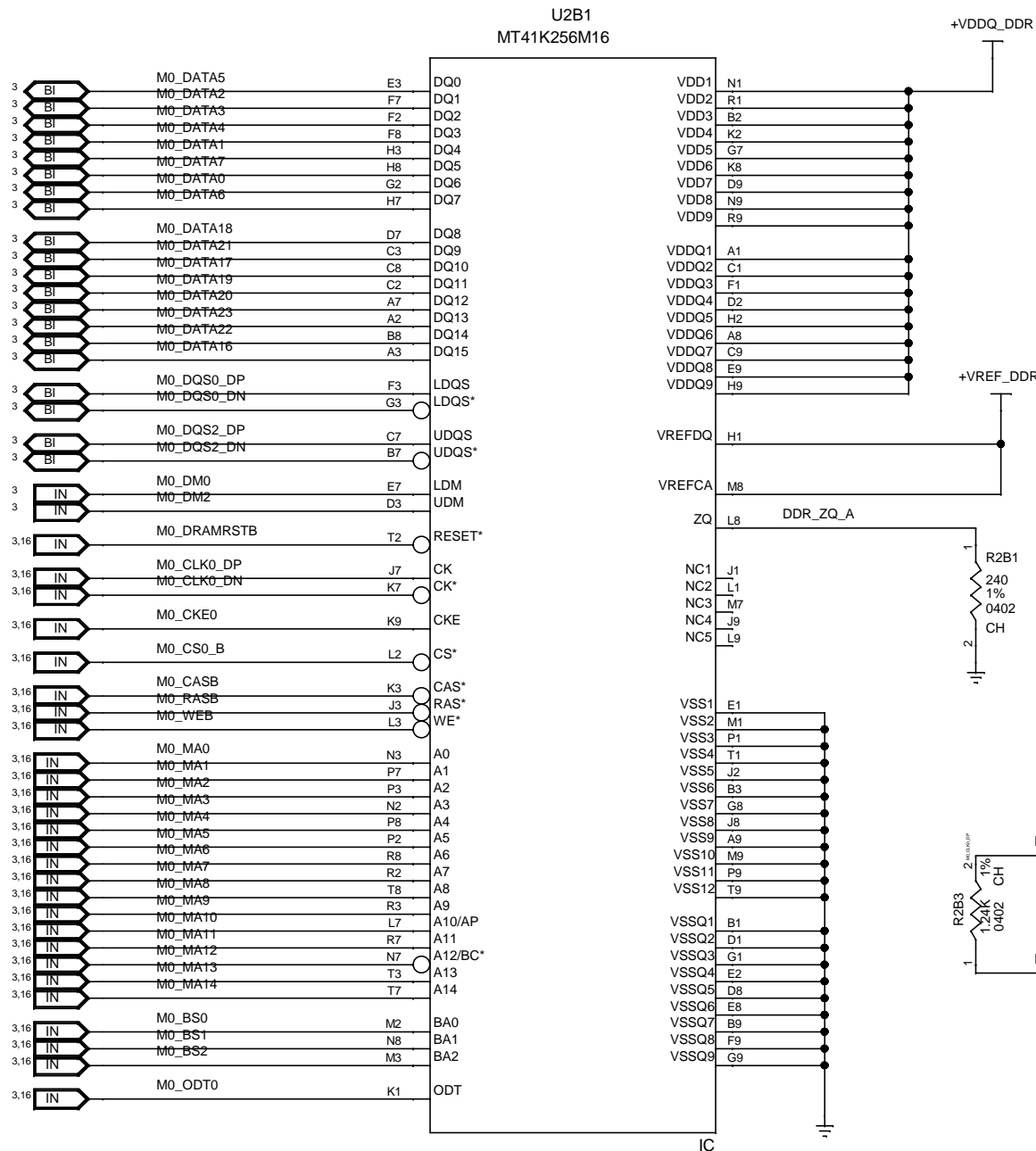
DOCUMENT_NUMBER	PAGE	REV
<DOCUMENT_NUMBER>	15	1.0

MEMORY DEVICE 0 & 1

PART USED IN BOM - HYNIX #H5TC4G63AFR-PBA(IPN IS G96268-001)

MODULE REV DETAILS

MODULE NAME	REV	DATE



ssgn_bytcr_mrd.+VDDQ.16
Tue Jun 10 07:26:59 2014

DOCUMENT_NUMBER	PAGE	REV
<DOCUMENT_NUMBER>	16	1.0

CUSTOM TEXT BPAGE

BLANK PAGE

MODULE REV DETAILS

MODULE NAME	REV	DATE

D

D

C

C

B

B

A

A

BPAGE DRAWING

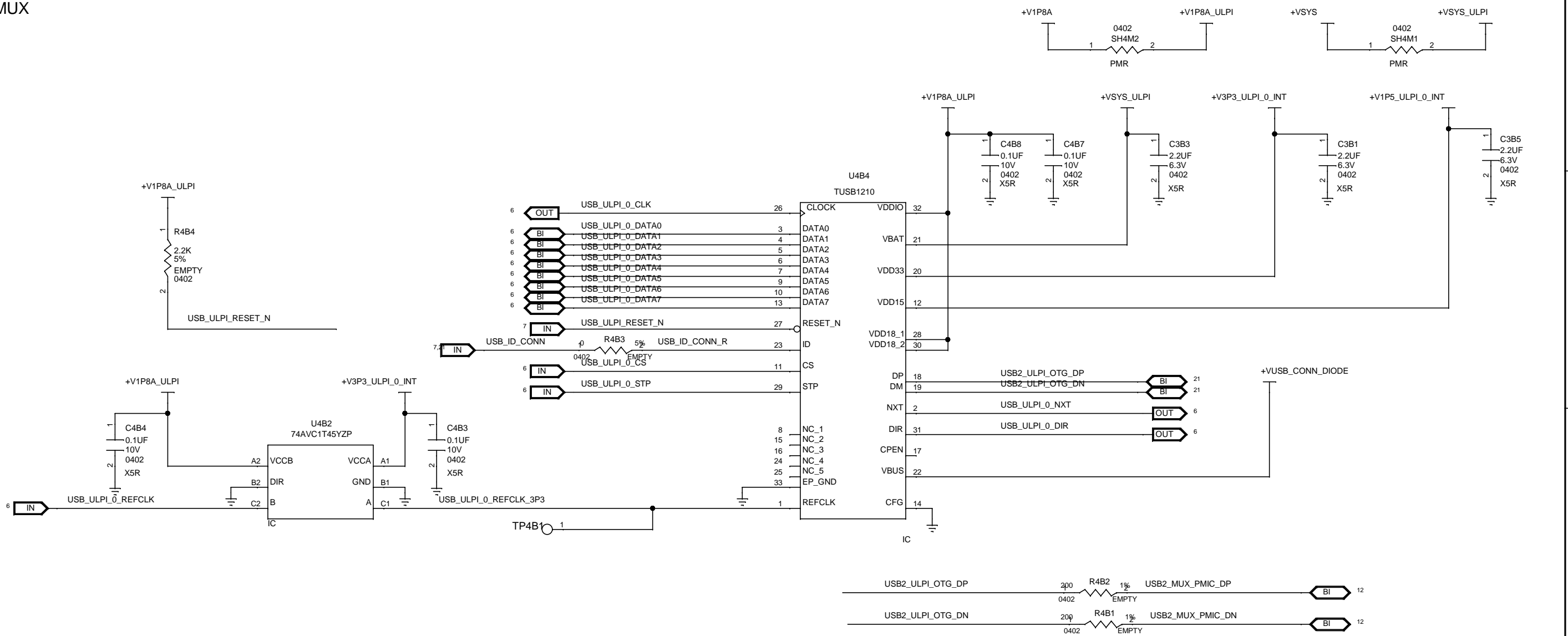
sgn_bytcr_msd_
Tue Jun 10 05:30:18 2014

DOCUMENT_NUMBER	PAGE	REV
<DOCUMENT_NUMBER>	17	1.0

CUSTOM TEXT BPAGE

MODULE REV DETAILS		
MODULE NAME	REV	DATE

USB PHY & MUX



BPAGE DRAWING

ssgn_bytcr_mrd+V1P8.18
Tue Jun 10 07:26:59 2014

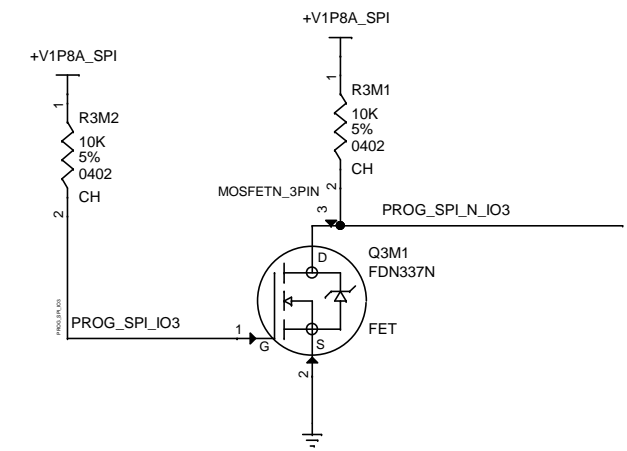
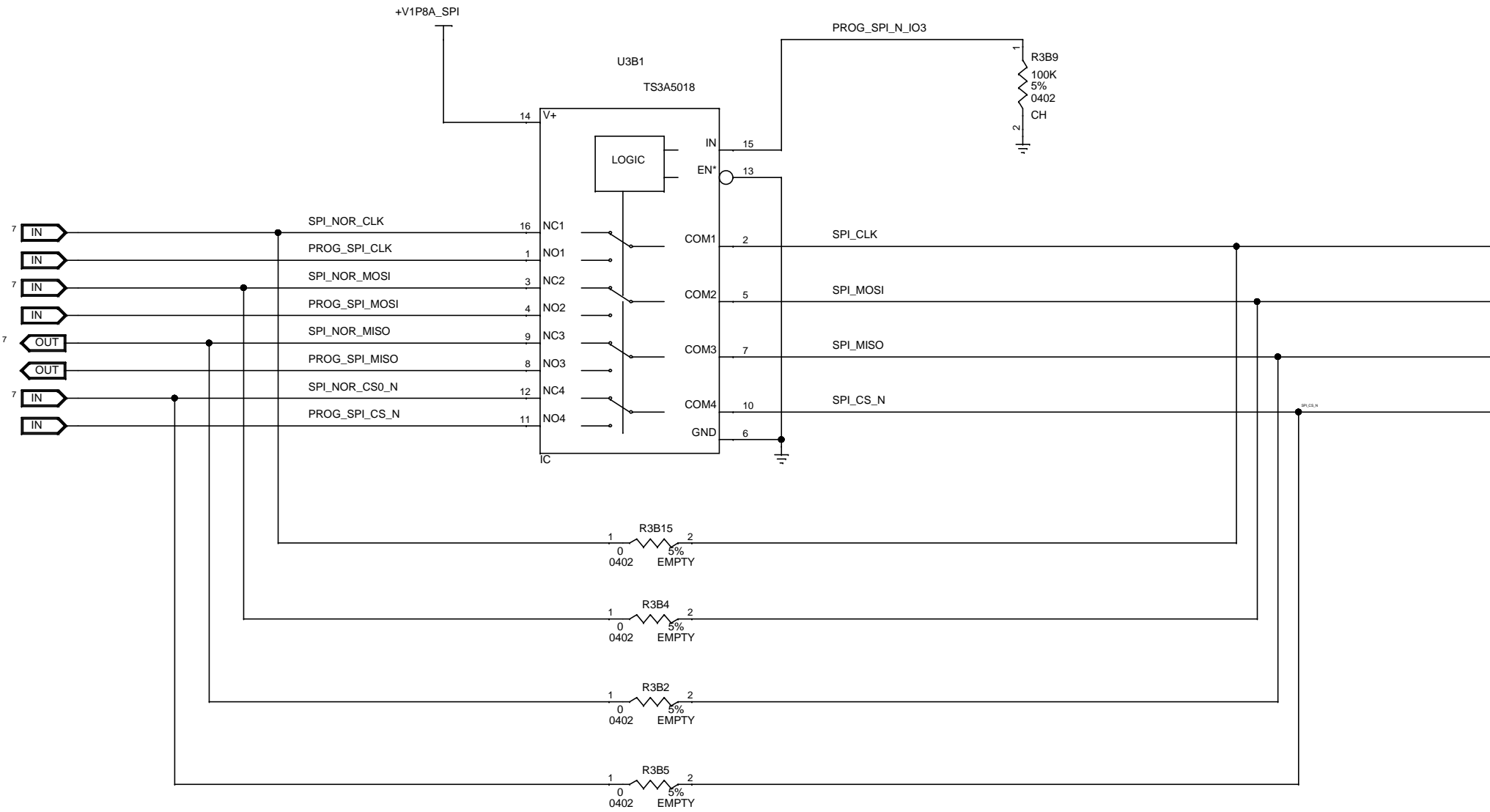
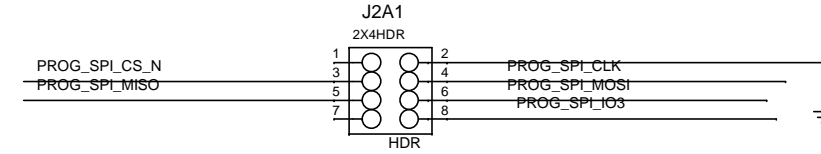
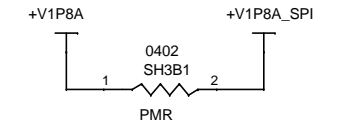
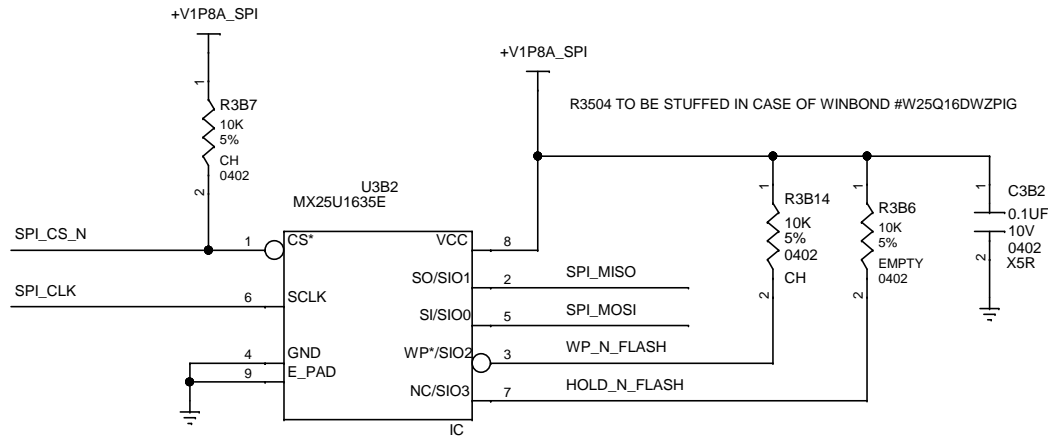
DOCUMENT_NUMBER	PAGE	REV
<DOCUMENT_NUMBER>	18	1.0

CUSTOM TEXT BPAGE

SPI NOR FLASH

MODULE REV DETAILS

MODULE NAME	REV	DATE



\$CDS_IMAGE[clipboard_0_4.jpg]2674|792

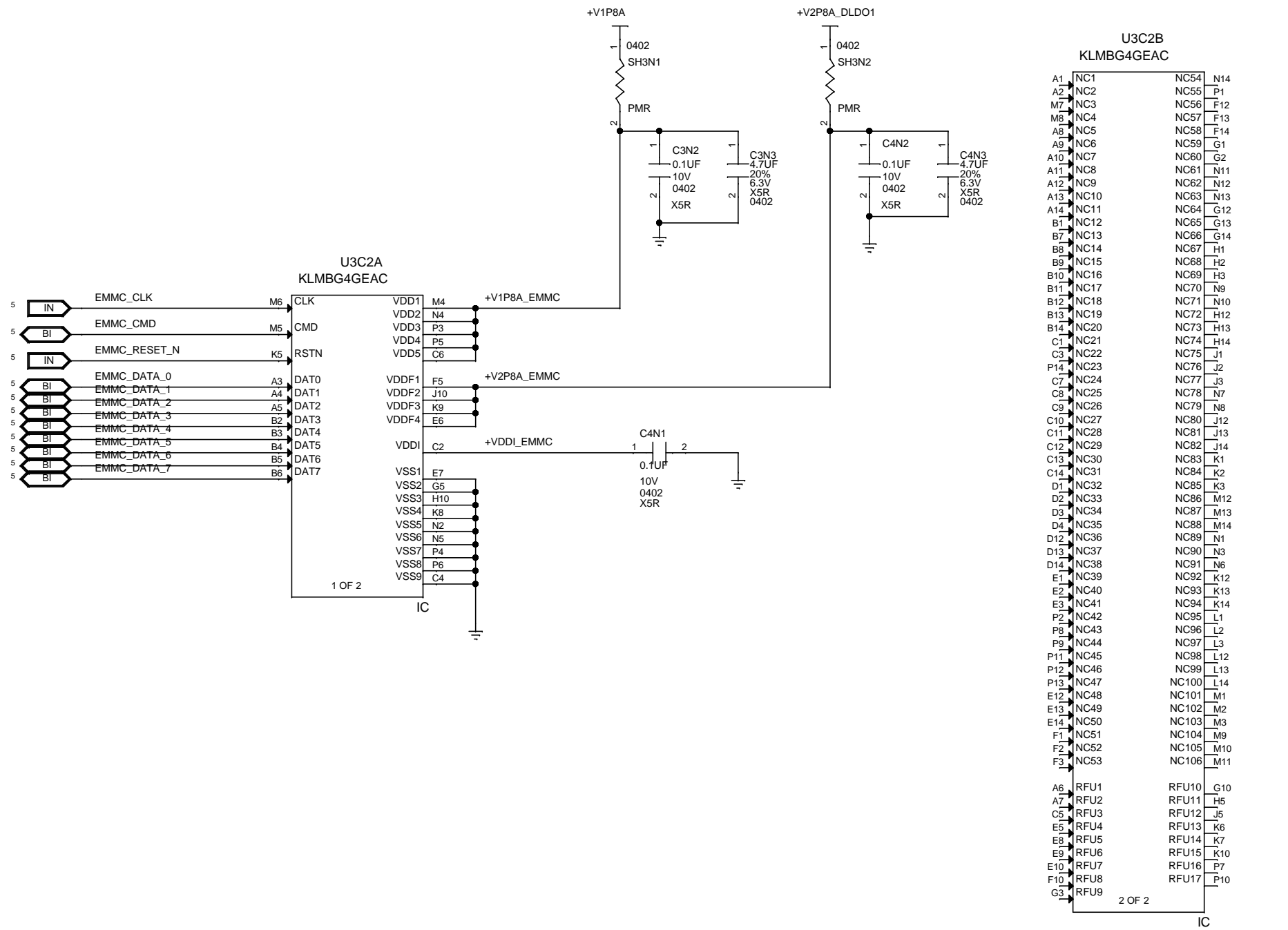
BPAGE DRAWING

s8gn_bytcr_mrd.+V1P8.19
Tue Jun 10 07:26:59 2014

DOCUMENT_NUMBER	PAGE	REV
<DOCUMENT_NUMBER>	19	1.0

CUSTOM TEXT BPAGE

MODULE NAME	REV	DATE
<DOCUMENT_NUMBER>		



BPAGE DRAWING

ssgr_bytcr_mrd.+V2P8.20
Tue Jun 10 07:26:59 2014

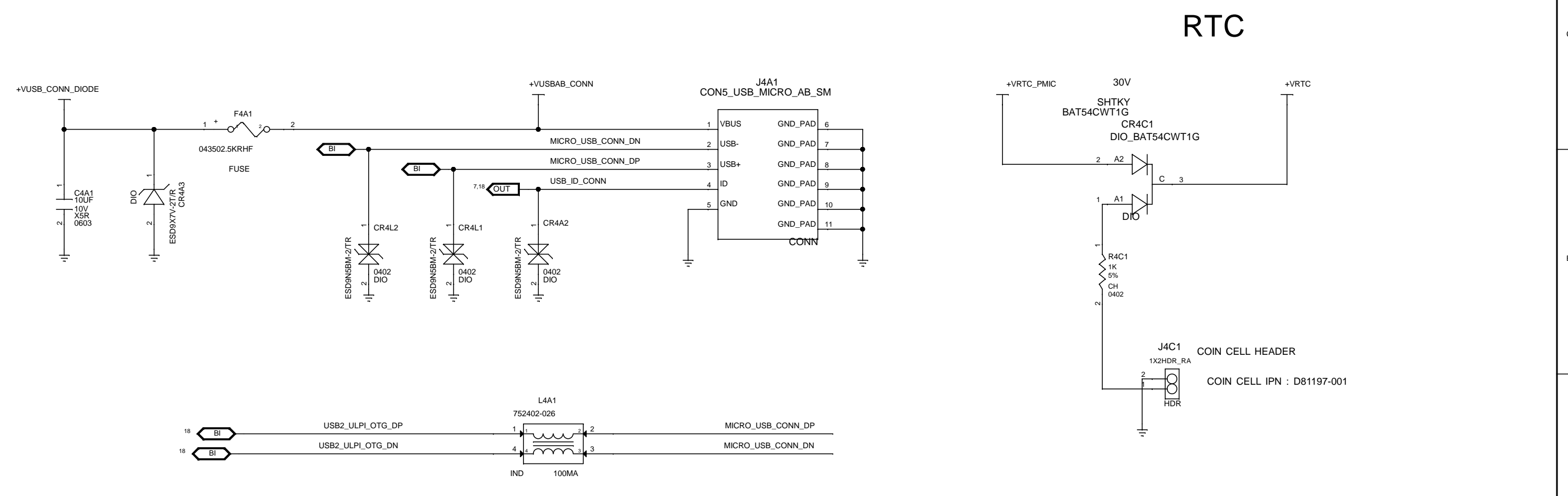
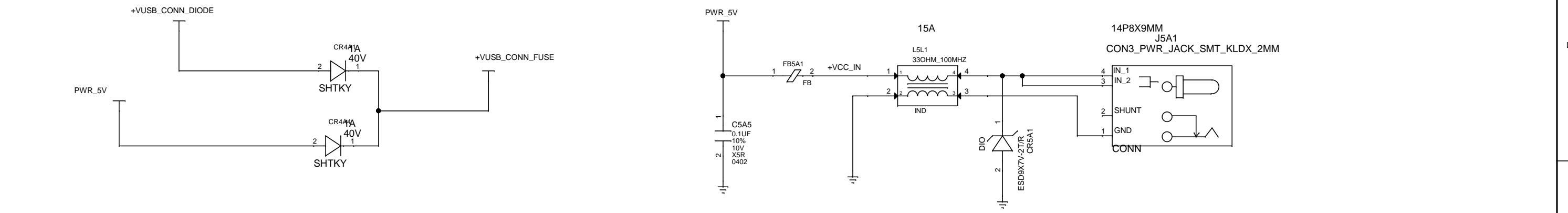
DOCUMENT_NUMBER	PAGE	REV
<DOCUMENT_NUMBER>	20	1.0

CUSTOM TEXT BPAGE

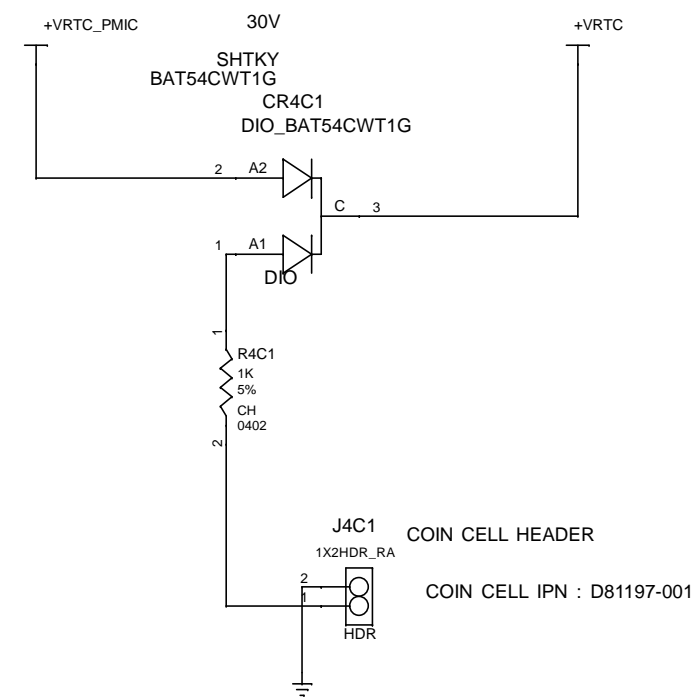
USB CONNECTOR

MODULE REV DETAILS

MODULE NAME	REV	DATE



RTC



BPAGE DRAWING

ssgn_bytcr_mrd.GND
Tue Jun 10 07:26:53 2014

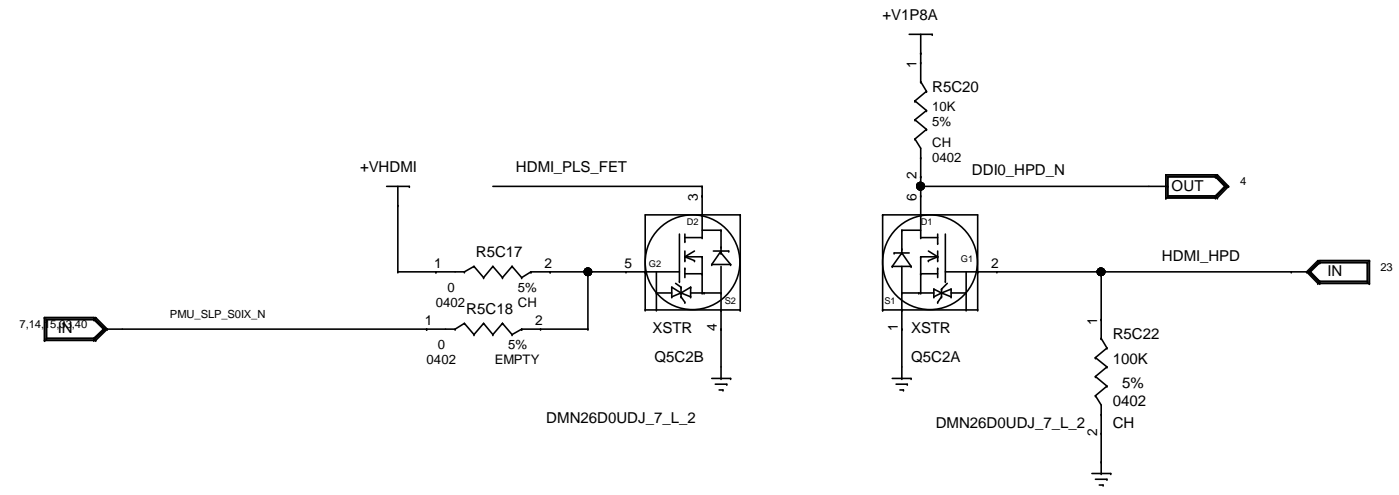
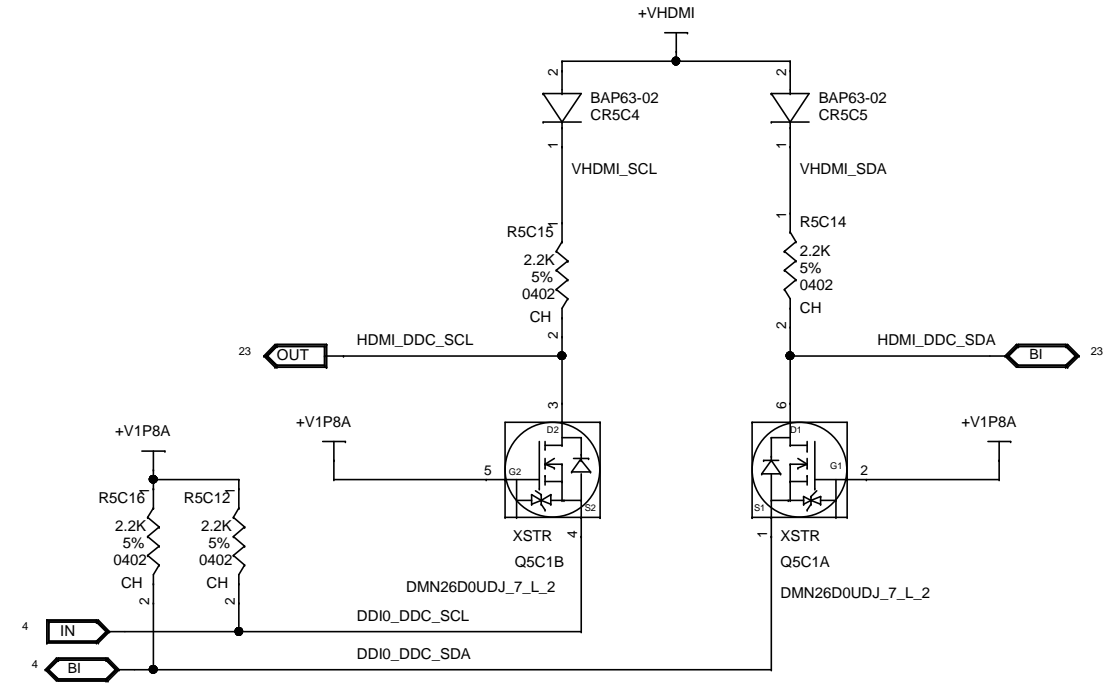
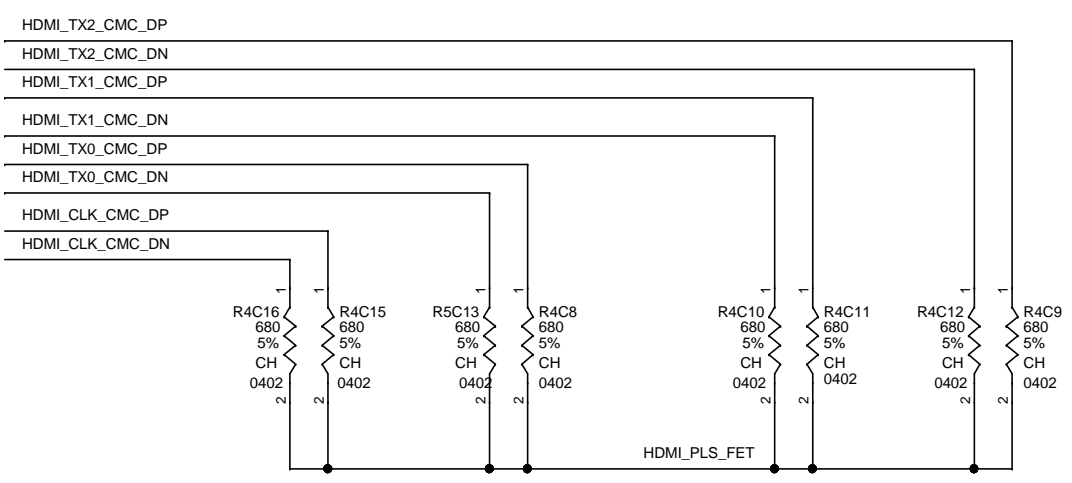
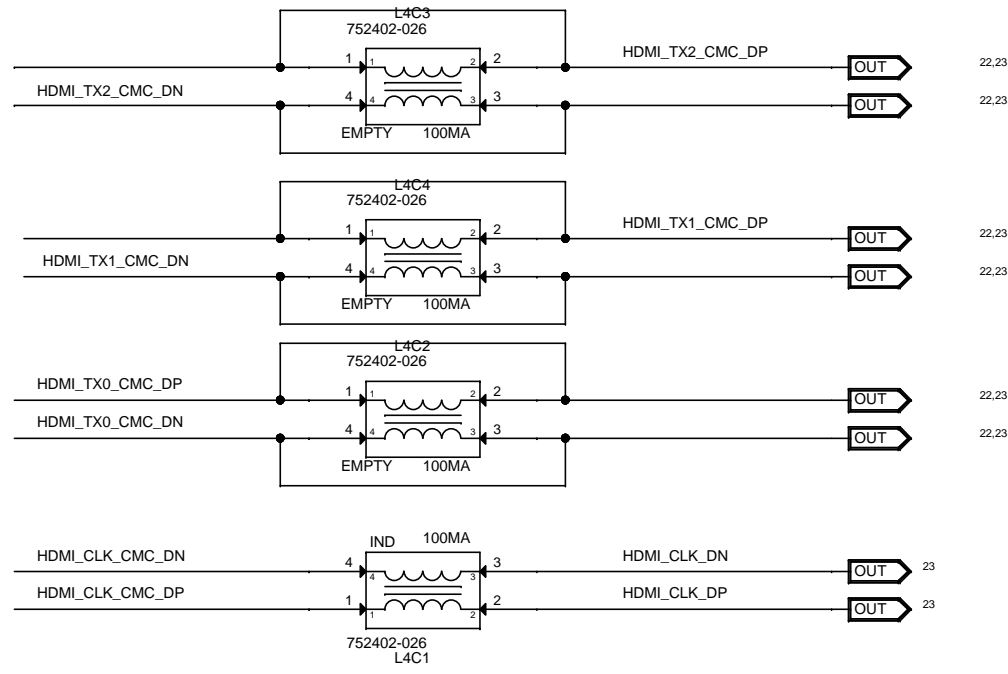
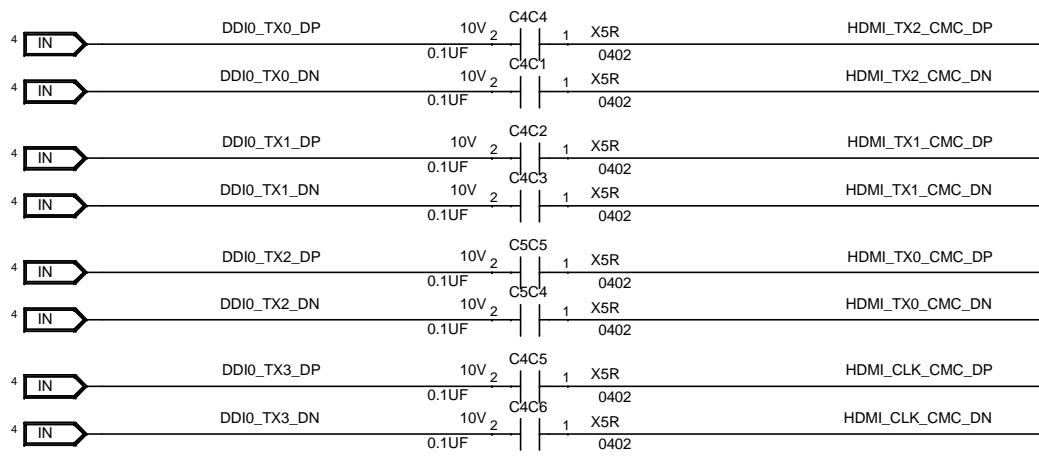
DOCUMENT_NUMBER	PAGE	REV
<DOCUMENT_NUMBER>	21	1.0

CUSTOM TEXT BPAGE

HDMI LEVEL SHIFTERS & CONNECTOR

MODULE REV DETAILS

MODULE NAME	REV	DATE



BPAGE DRAWING

ssgn_bytcr_mrd+v1P8.22
Tue Jun 10 07:26:53 2014

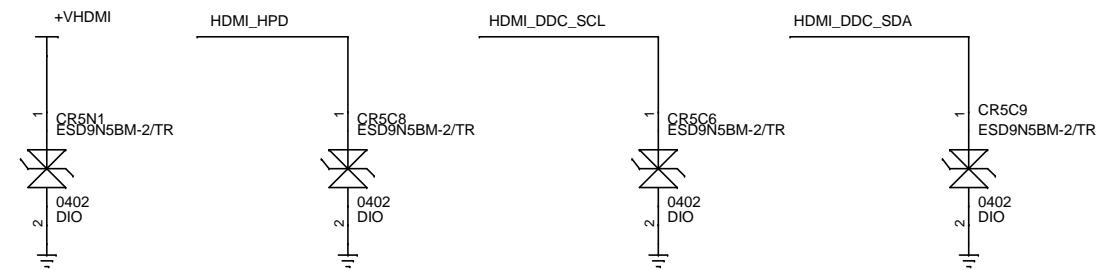
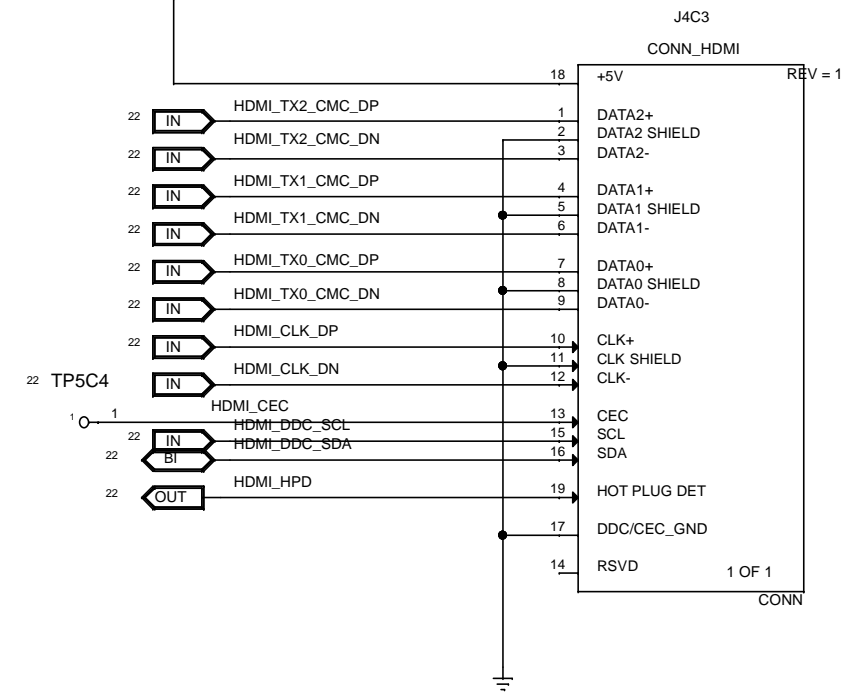
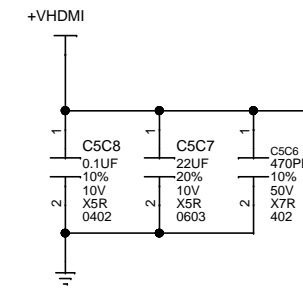
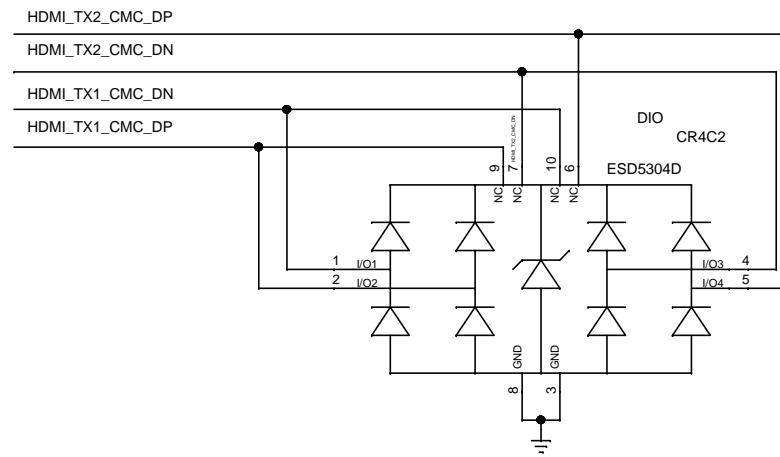
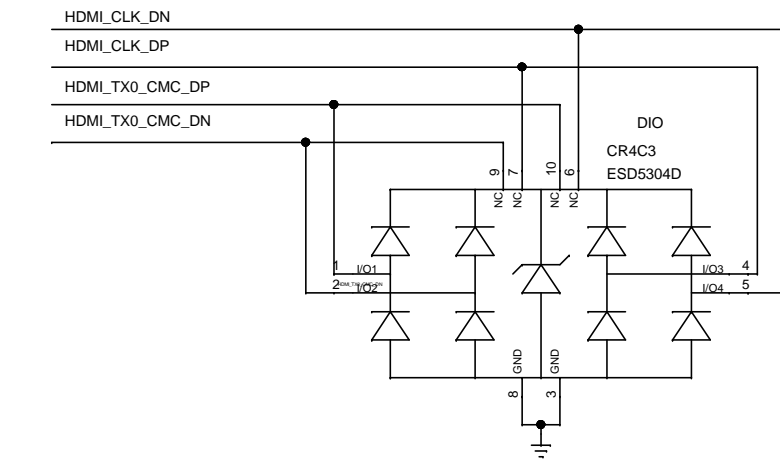
DOCUMENT_NUMBER	PAGE	REV
<DOCUMENT_NUMBER>	22	1.0

CUSTOM TEXT BPAGE

HDMI CONNECTOR

MODULE REV DETAILS

MODULE NAME	REV	DATE



BPAGE DRAWING

ssgn_bytcr_mrd.GND
Tue Jun 10 07:27:00 2014

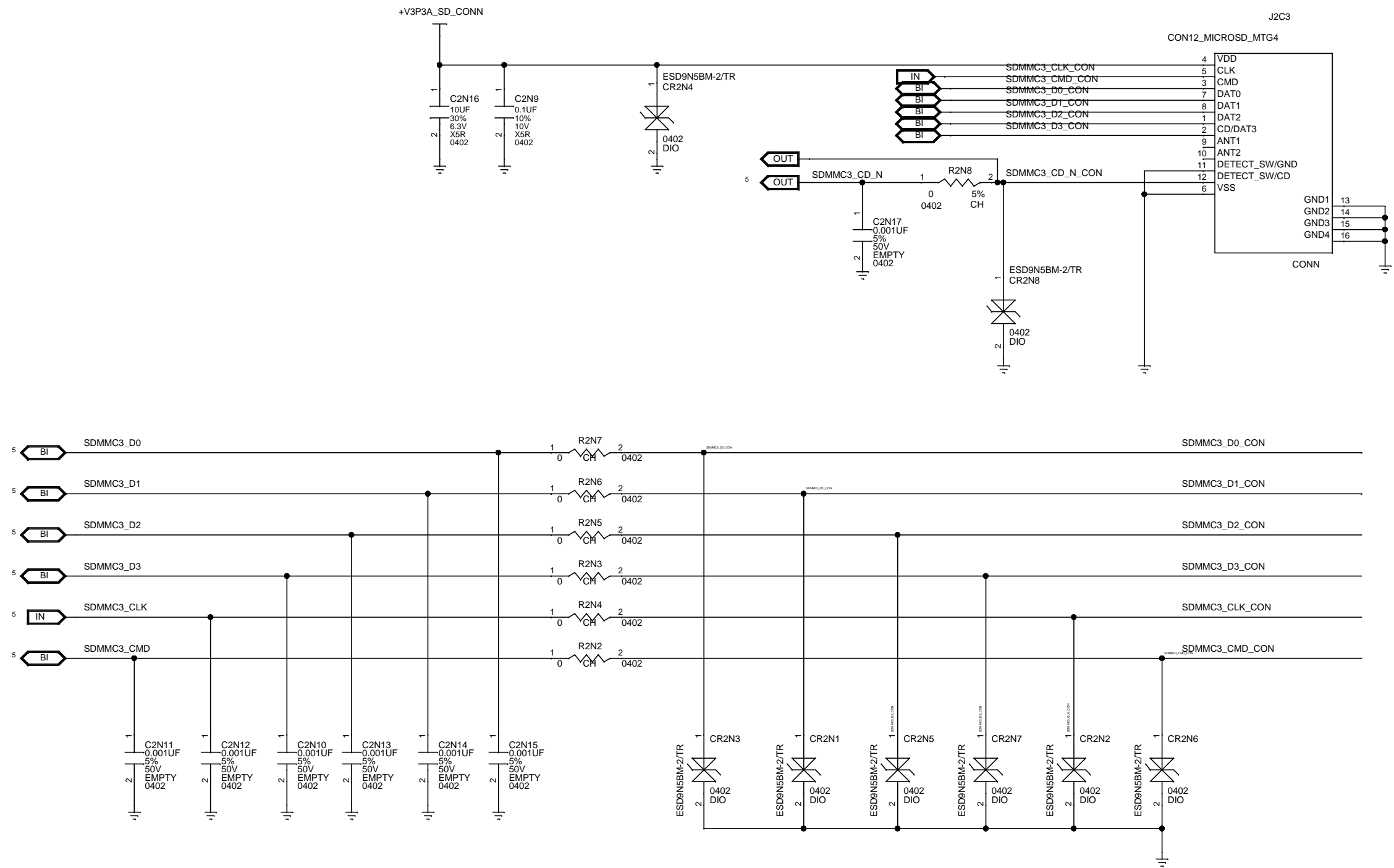
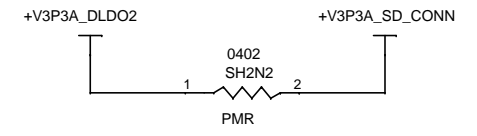
CUSTOM TEXT BPAGE

DOCUMENT_NUMBER	PAGE	REV
<DOCUMENT_NUMBER>	23	1.0

MICRO-SD CONNECTOR

MODULE REV DETAILS

MODULE NAME	REV	DATE



BPAGE DRAWING

sagn_bytcr_mrd.+V3P3.24
Tue Jun 10 07:27:00 2014

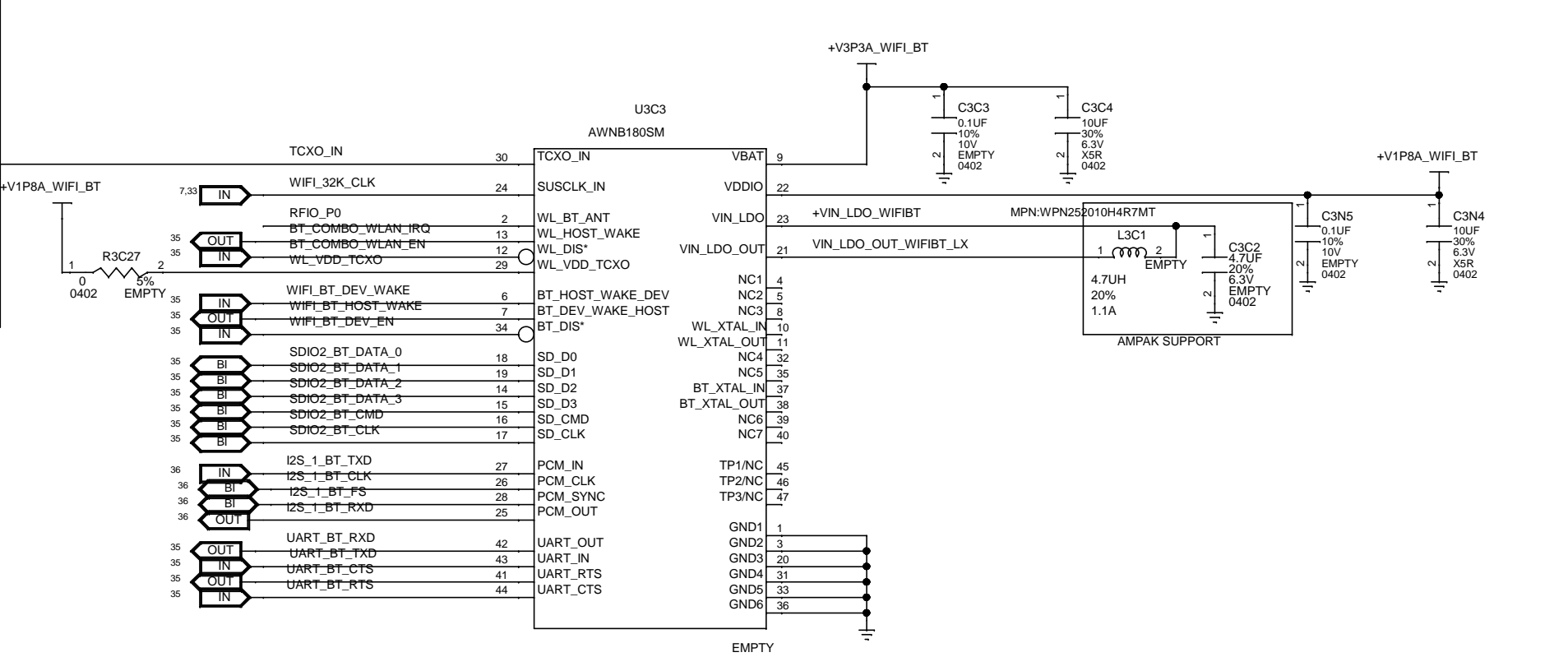
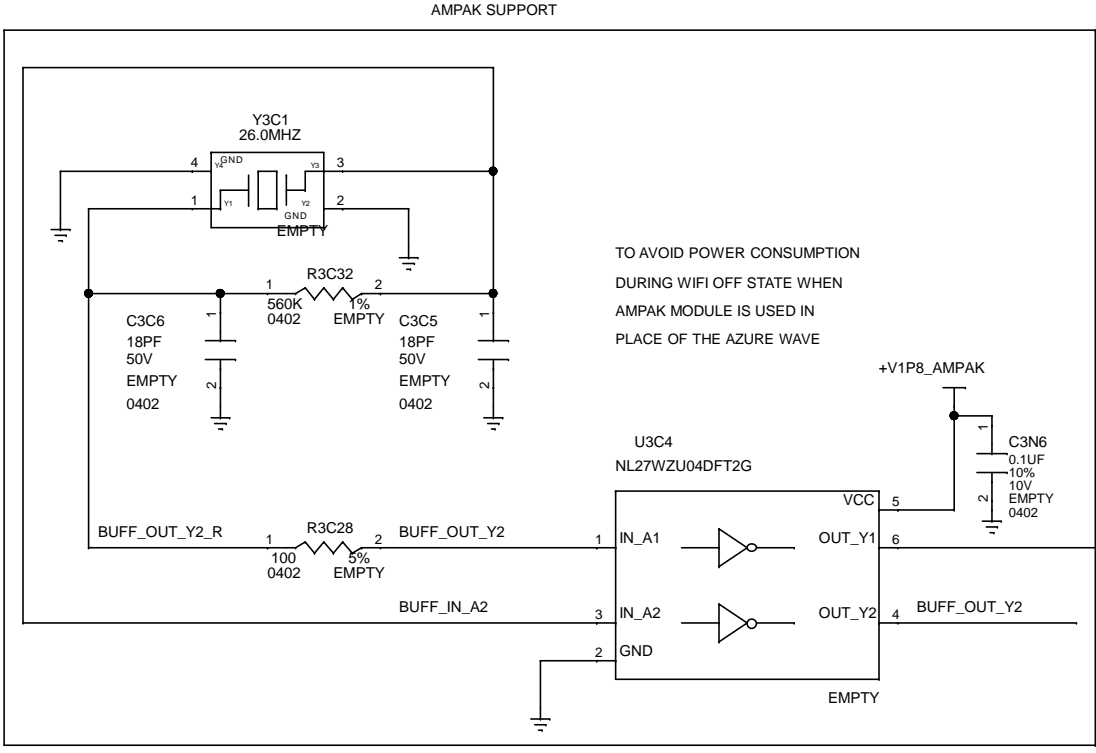
DOCUMENT_NUMBER	PAGE	REV
<DOCUMENT_NUMBER>	24	1.0

CUSTOM TEXT BPAGE

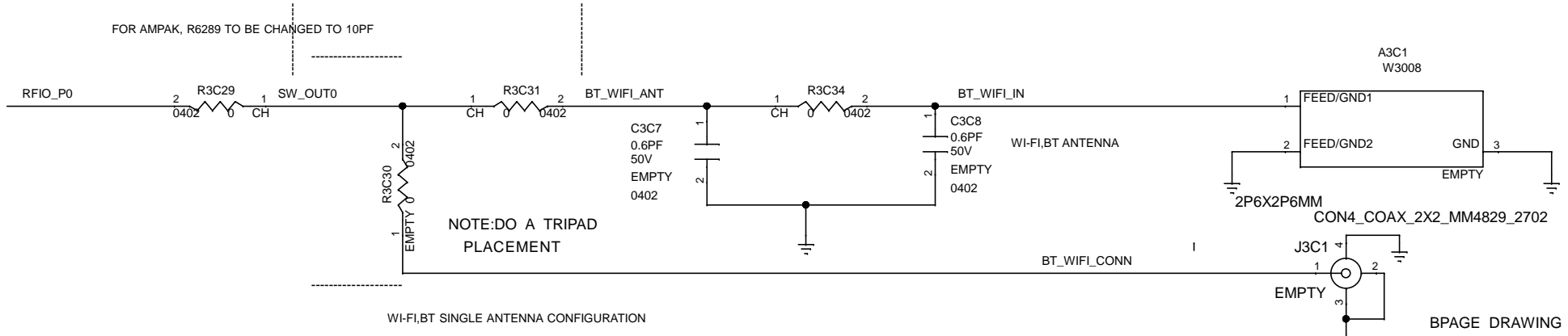
WIFI-BT

MODULE REV DETAILS

MODULE NAME	REV	DATE
<DOCUMENT_NUMBER>	25	1.0



NOT INSTALLED ON BOARD



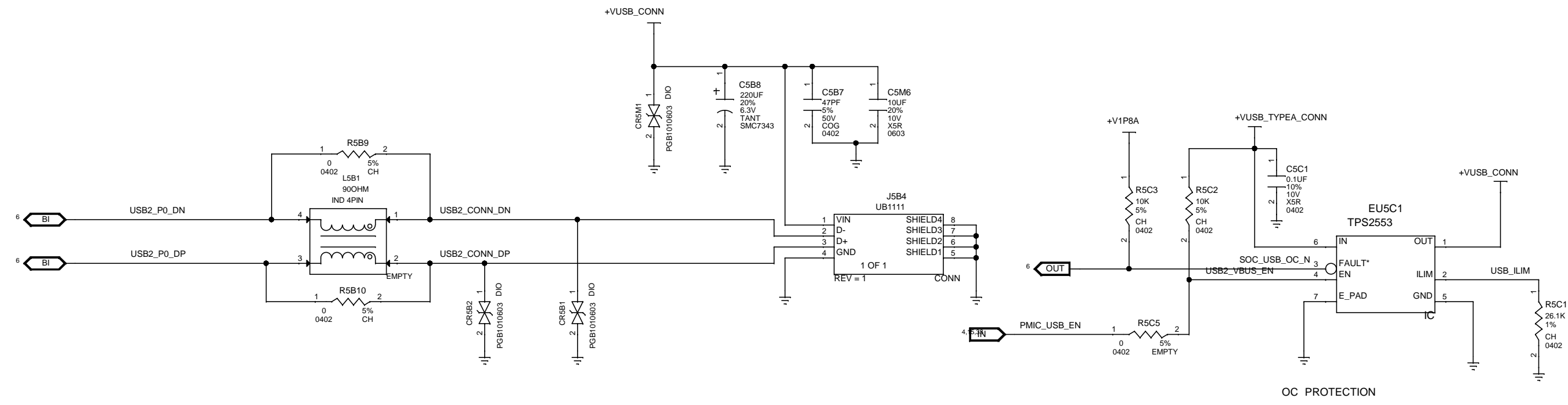
BPAGE DRAWING

ssgn_bytc_r_mrd.+V1P8.25
Tue Jun 10 07:27:00 2014

CUSTOM TEXT BPAGE

MODULE REV DETAILS		
MODULE NAME	REV	DATE

USB2.0 TYPE -A CONNECTOR (HOST FUNCTIONALITY)



BPAGE DRAWING

ssgn_bytcr_mrd GND
Tue Jun 10 07:27:01 2014

CUSTOM TEXT BPAGE

DOCUMENT_NUMBER	PAGE	REV
<DOCUMENT_NUMBER>	26	1.0

AUDIO CODEC

MODULE REV DETAILS

MODULE NAME	REV	DATE
<DOCUMENT_NUMBER>	27	1.0

D

D

C

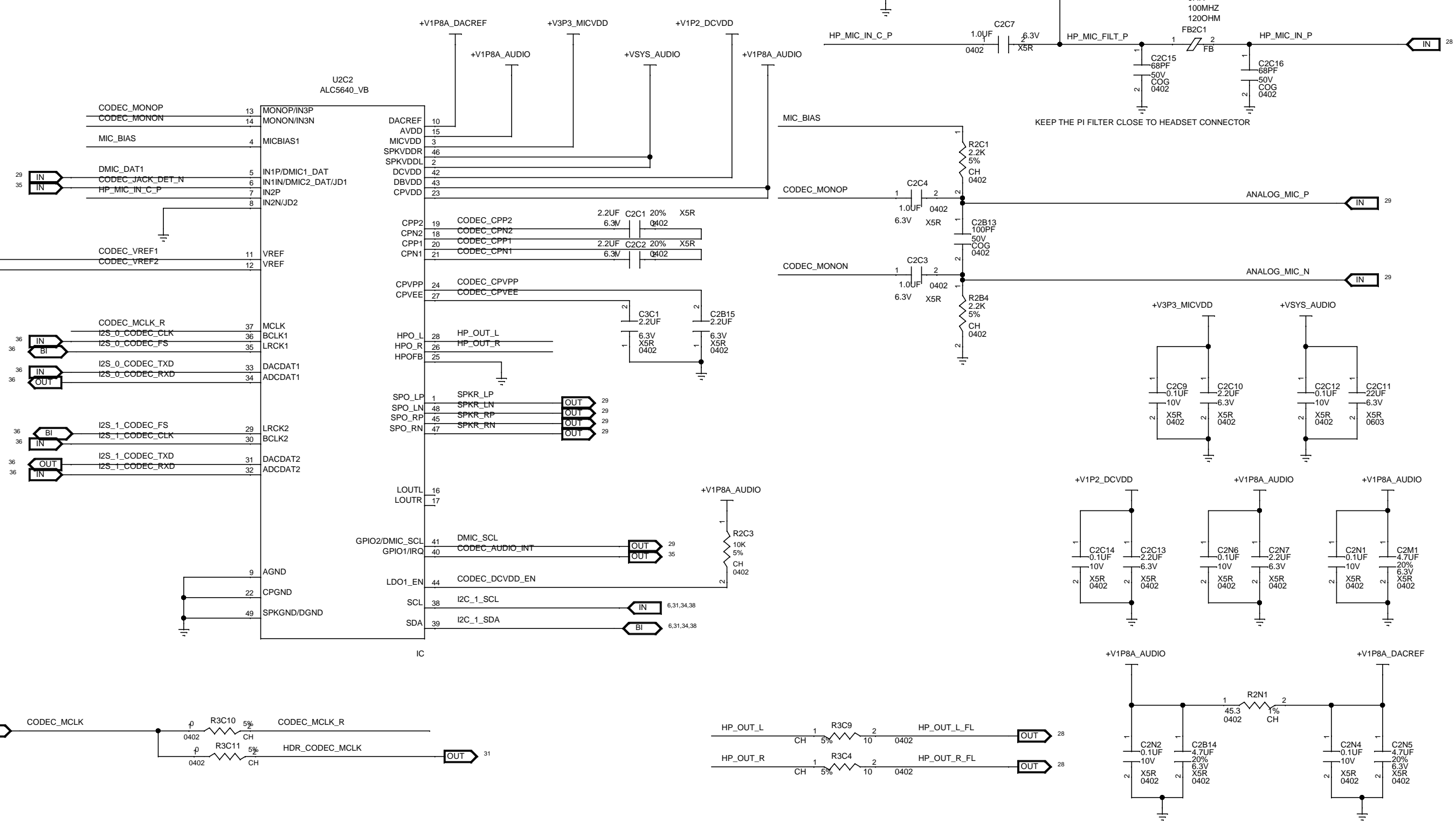
C

B

B

A

A



KEEP THE PI FILTER CLOSE TO HEADSET CONNECTOR

BPAGE DRAWING

ssgn_bytcr_mrd.GND
Tue Jun 10 07:27:00 2014

DOCUMENT_NUMBER	PAGE	REV
<DOCUMENT_NUMBER>	27	1.0

CUSTOM TEXT BPAGE

8

7

6

5

4

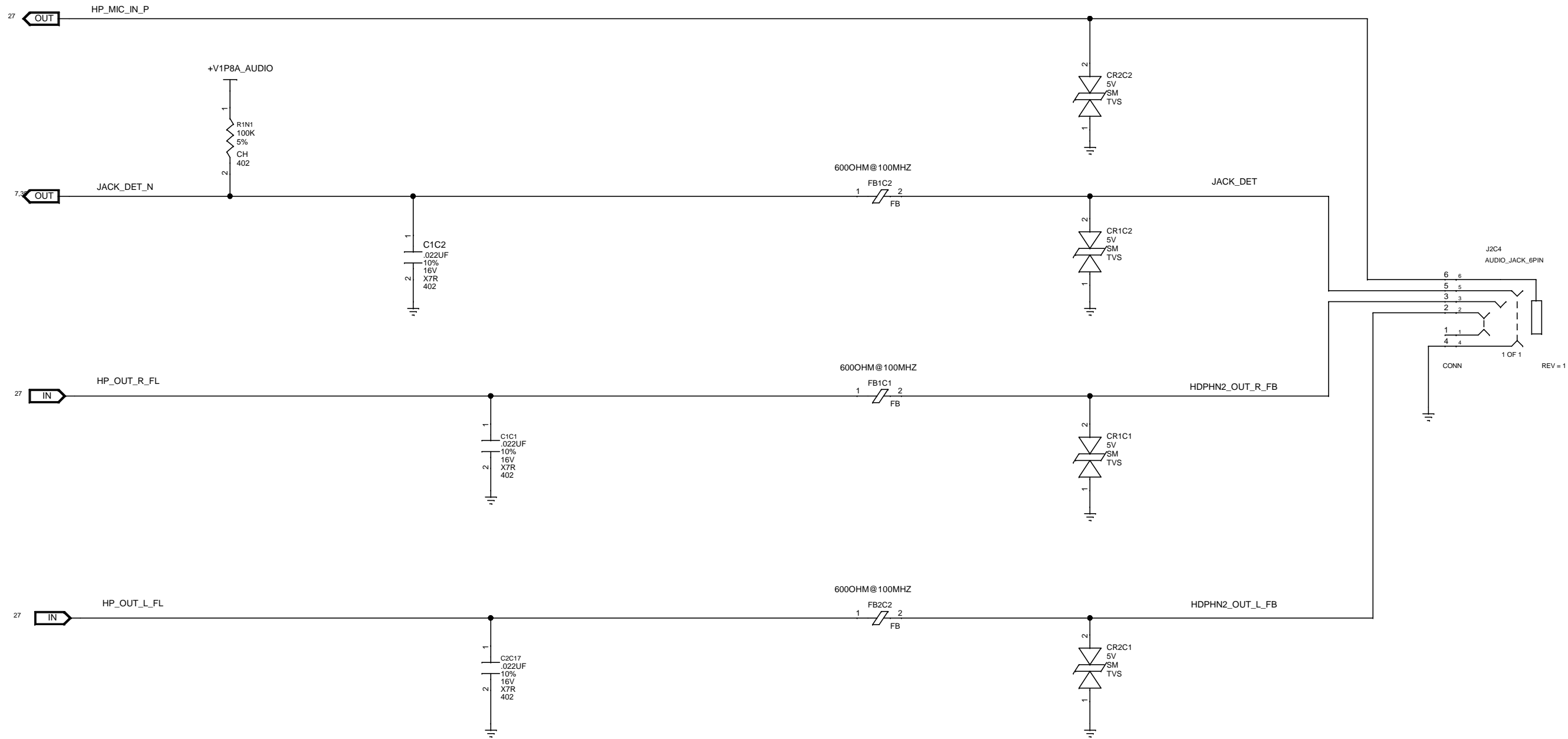
3

2

1

MODULE REV DETAILS		
MODULE NAME	REV	DATE

3.5 MM AUDIO JACK



BPAGE DRAWING

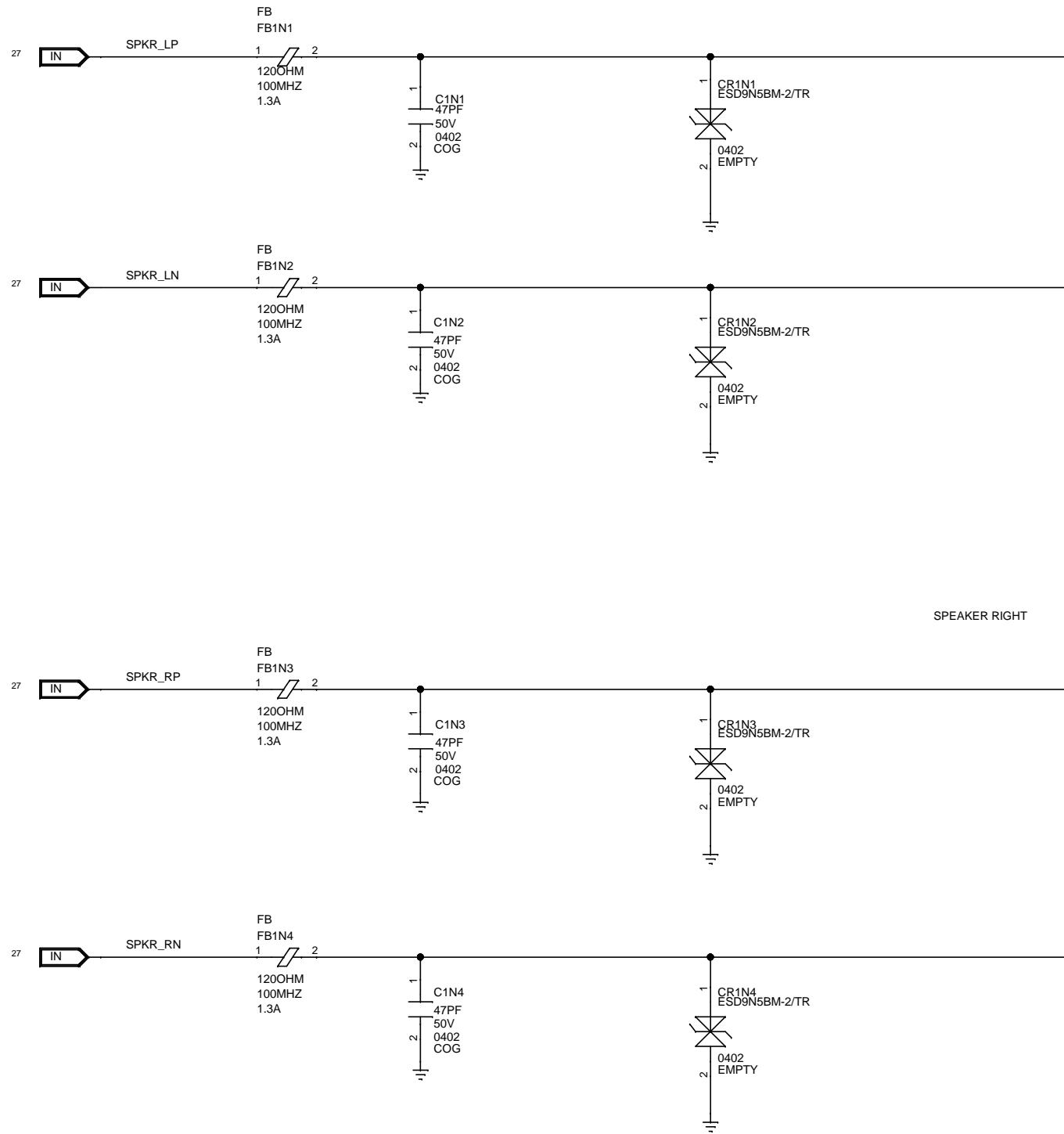
ssgn_bytcr_mrd.GND
Tue Jun 10 07:27:00 2014

CUSTOM TEXT BPAGE	DOCUMENT_NUMBER <DOCUMENT_NUMBER>	PAGE 28	REV 1.0
-------------------	--------------------------------------	------------	------------

SPEAKERS

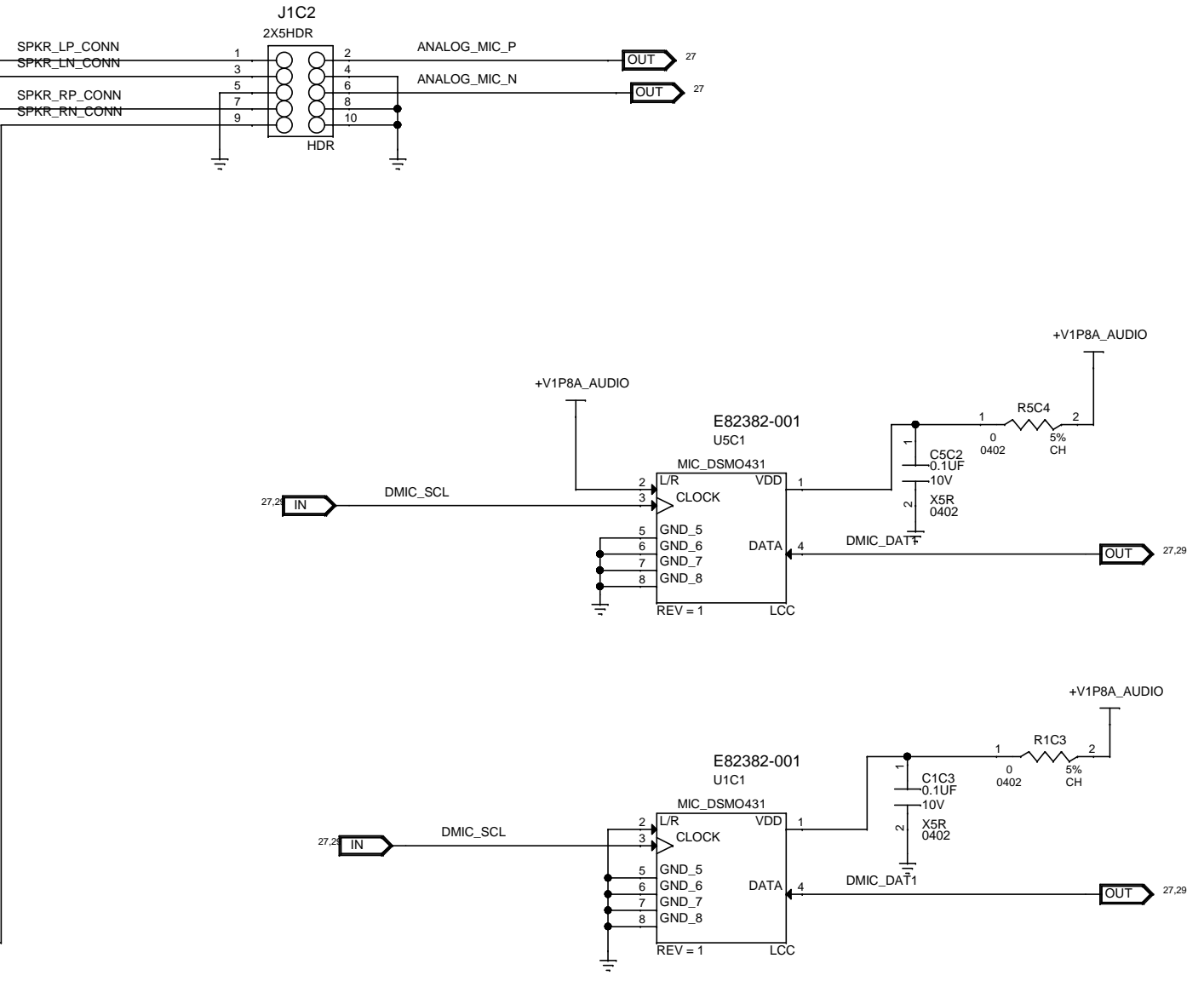
MODULE REV DETAILS

MODULE NAME	REV	DATE



SPEAKER LEFT

SPEAKER RIGHT



BPAGE DRAWING

ssgn_bytcr_mrd.+V1P8.29
Tue Jun 10 07:26:52 2014

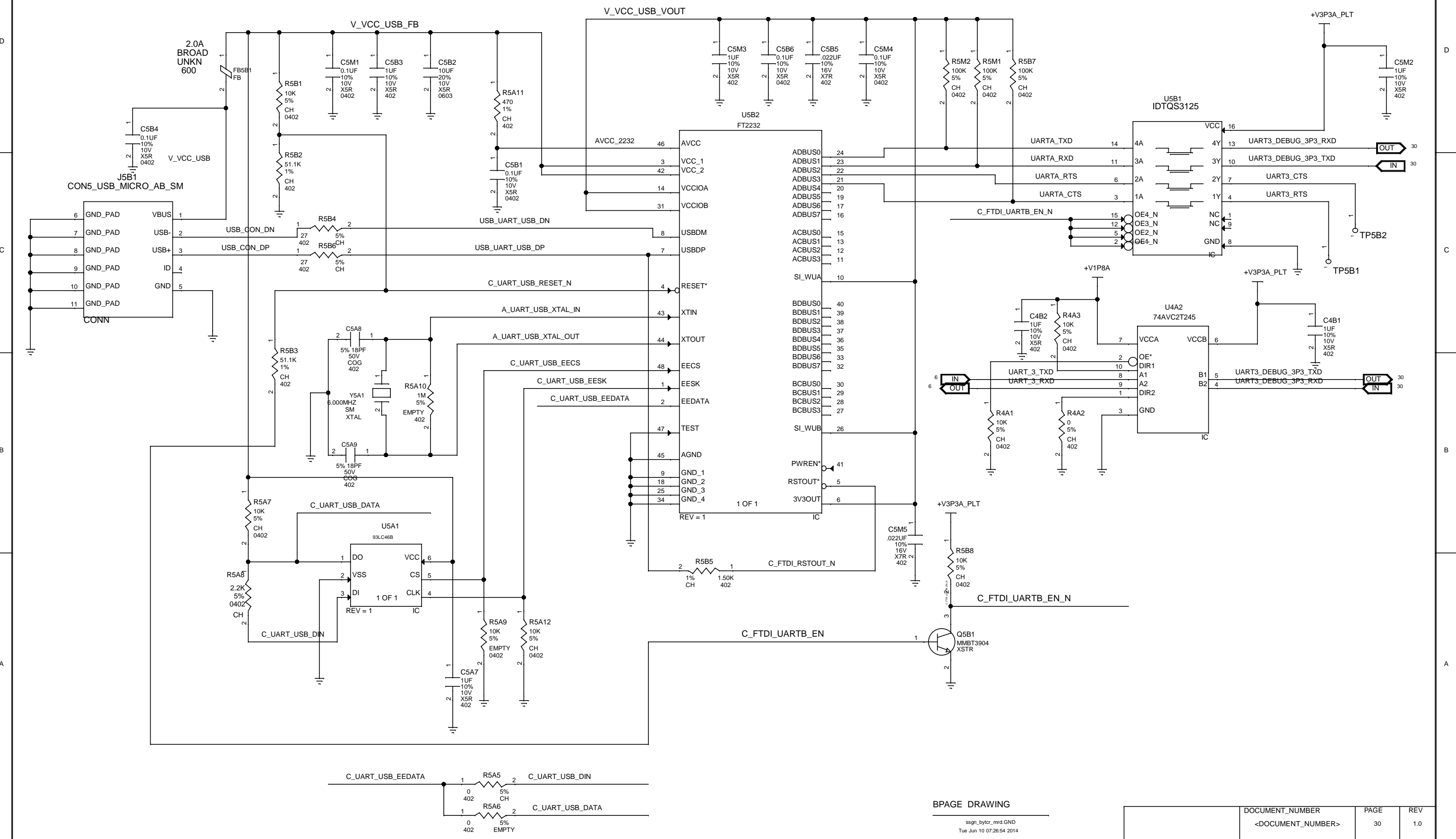
DOCUMENT_NUMBER	PAGE	REV
<DOCUMENT_NUMBER>	29	1.0

CUSTOM TEXT BPAGE

UART TO USB

MODULE REV DETAILS

MODULE NAME	REV	DATE



BPAGE DRAWING

ssgn_bytcr_mrd.GND
Tue Jun 10 07:26:54 2014

DOCUMENT_NUMBER	PAGE	REV
<DOCUMENT_NUMBER>	30	1.0

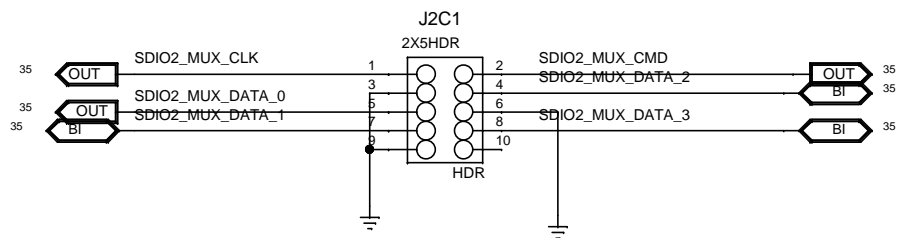
CUSTOM TEXT BPAGE

HEADERS 1

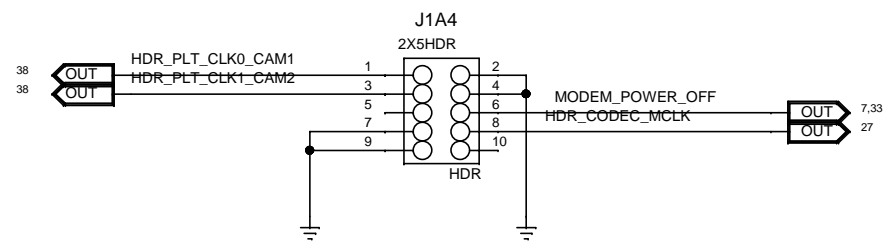
MODULE REV DETAILS

MODULE NAME	REV	DATE

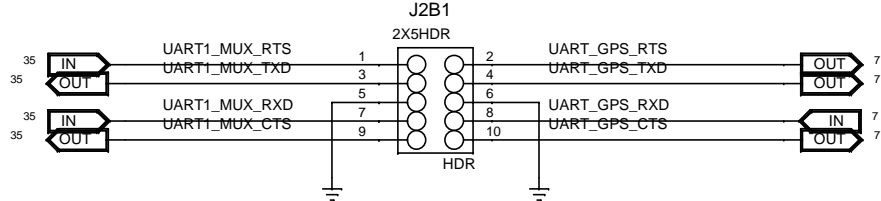
SDIO CONN



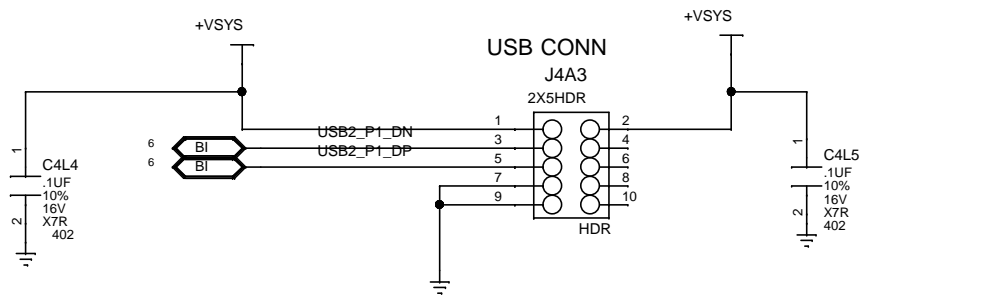
CLOCK CONN



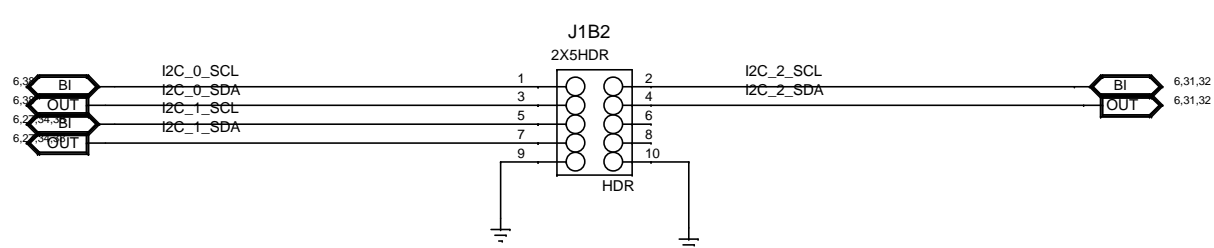
UART CONN



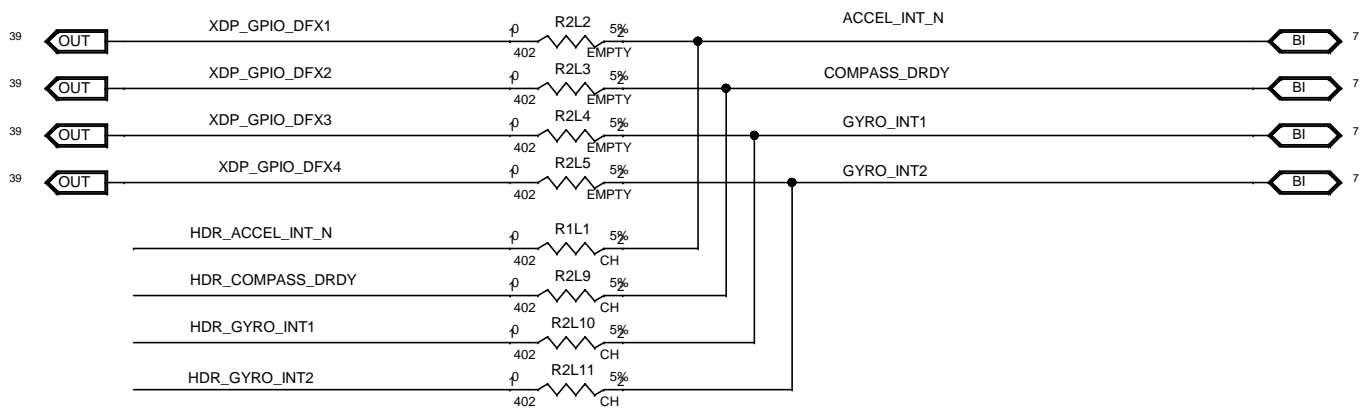
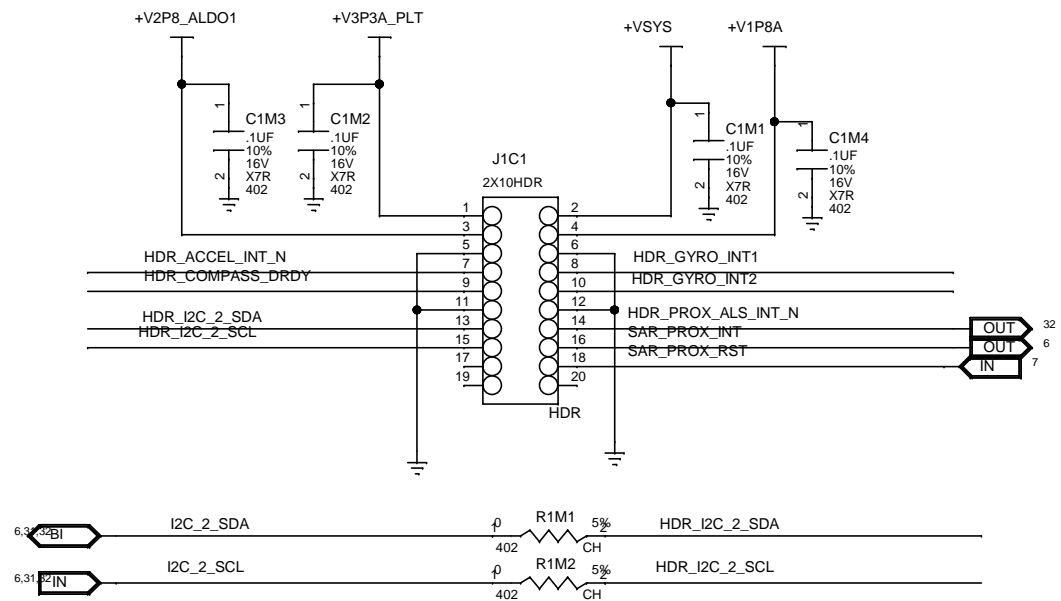
USB CONN



I2C CONN



SENSOR CONN



BPAGE DRAWING

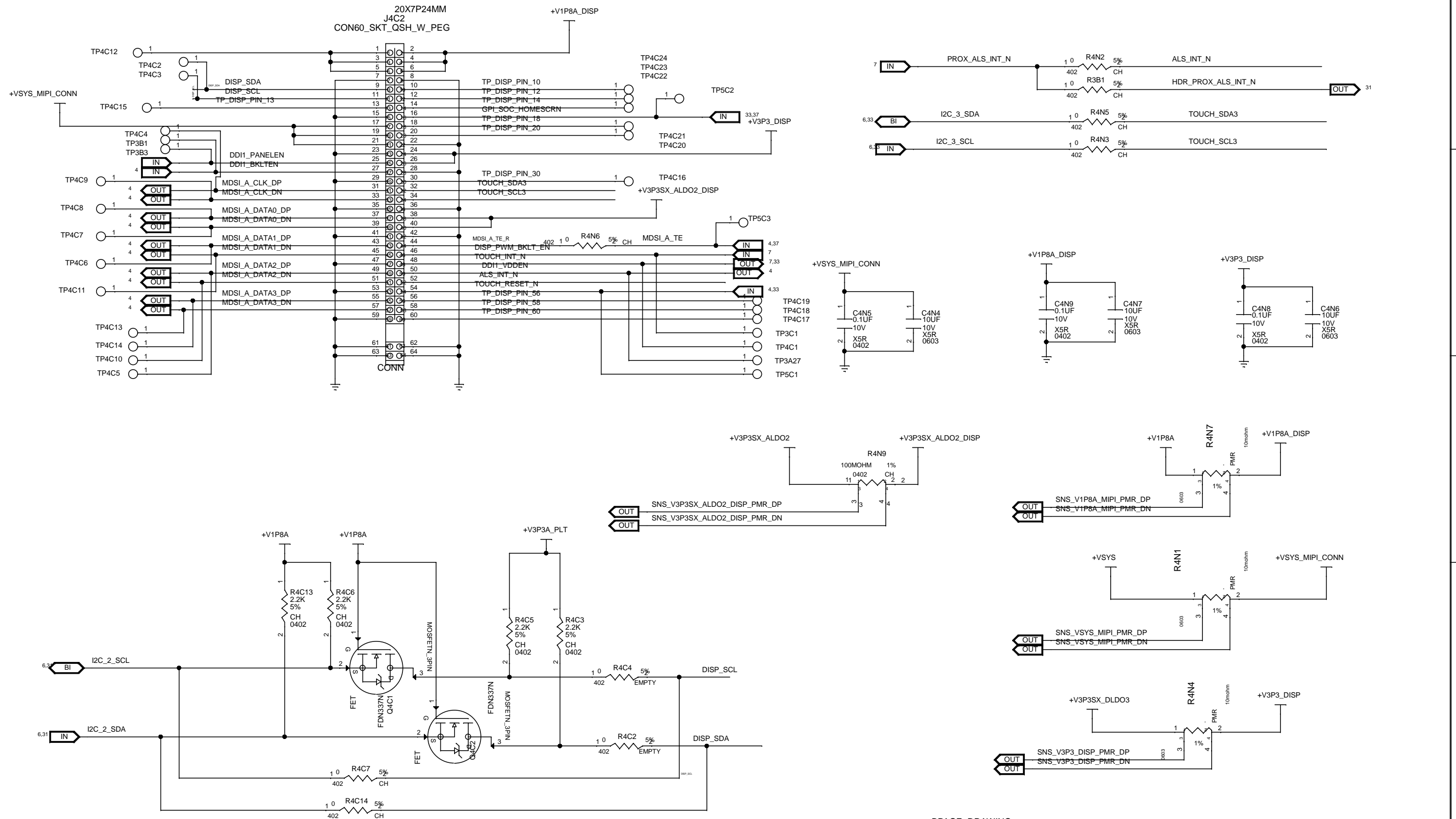
s5gn_bytcr_mrd.+VSYS.31
Tue Jun 10 07:27:01 2014

CUSTOM TEXT BPAGE

DOCUMENT_NUMBER	PAGE	REV
<DOCUMENT_NUMBER>	31	1.0

MODULE REV DETAILS		
MODULE NAME	REV	DATE

DISPLAY CONNECTOR



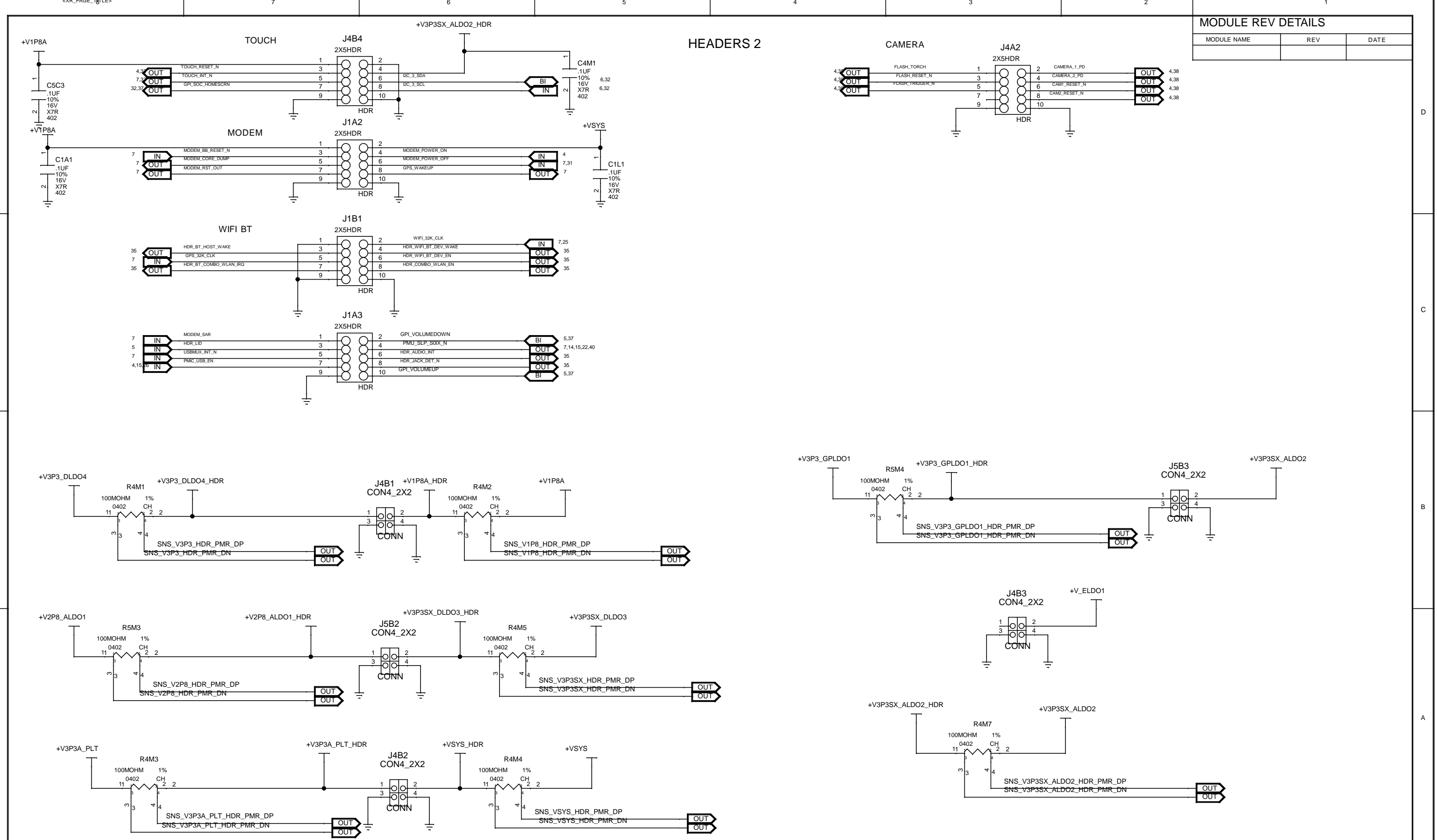
BPAGE DRAWING

s8gn_bytcr_mrd.+V1P8.32
Tue Jun 10 07:26:53 2014

CUSTOM TEXT BPAGE	DOCUMENT_NUMBER <DOCUMENT_NUMBER>	PAGE 32	REV 1.0
-------------------	--------------------------------------	------------	------------

MODULE REV DETAILS

MODULE NAME	REV	DATE



BPAGE DRAWING

ssgn_bytcr_mrd.GND
Tue Jun 10 07:27:01 2014

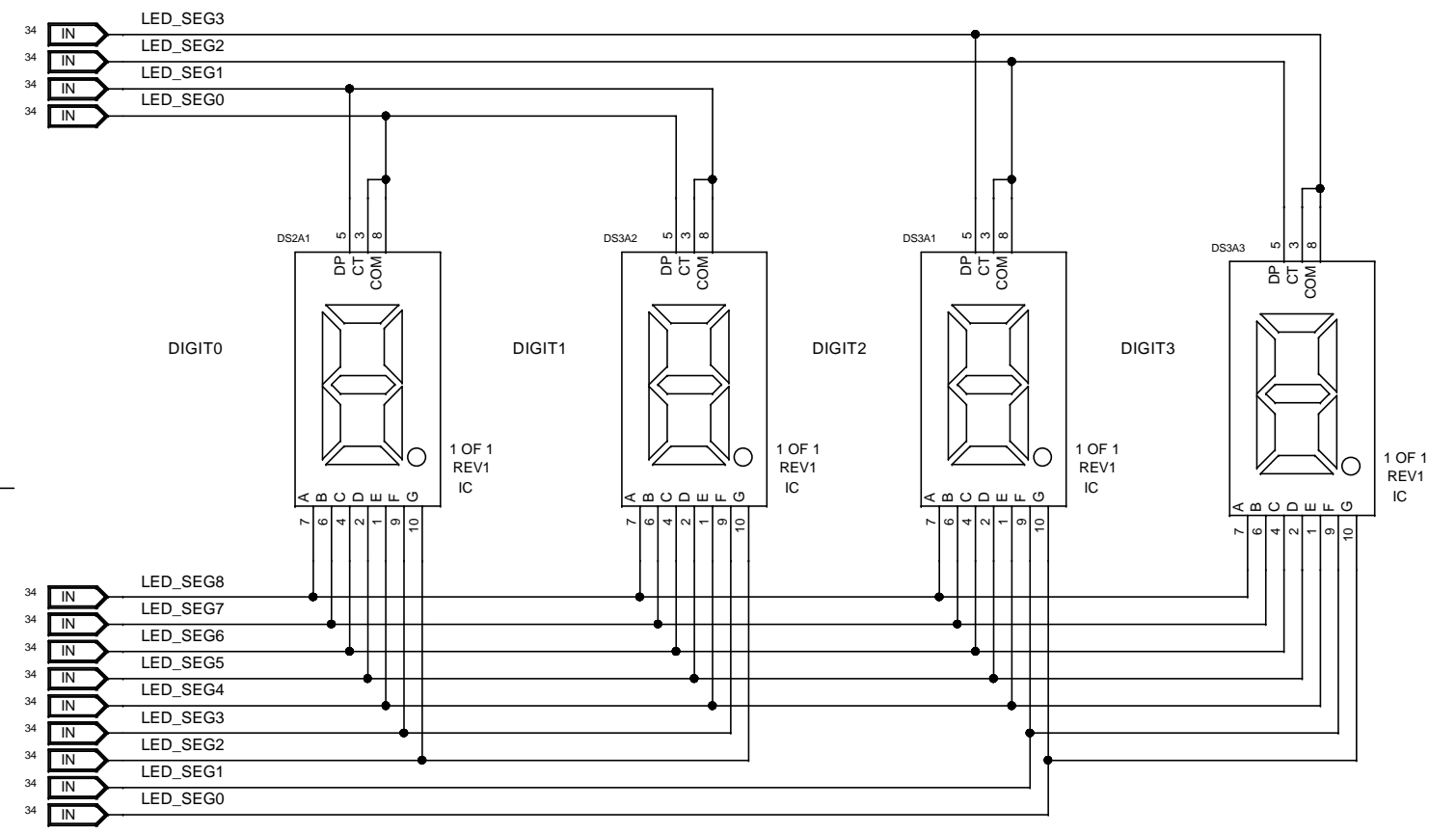
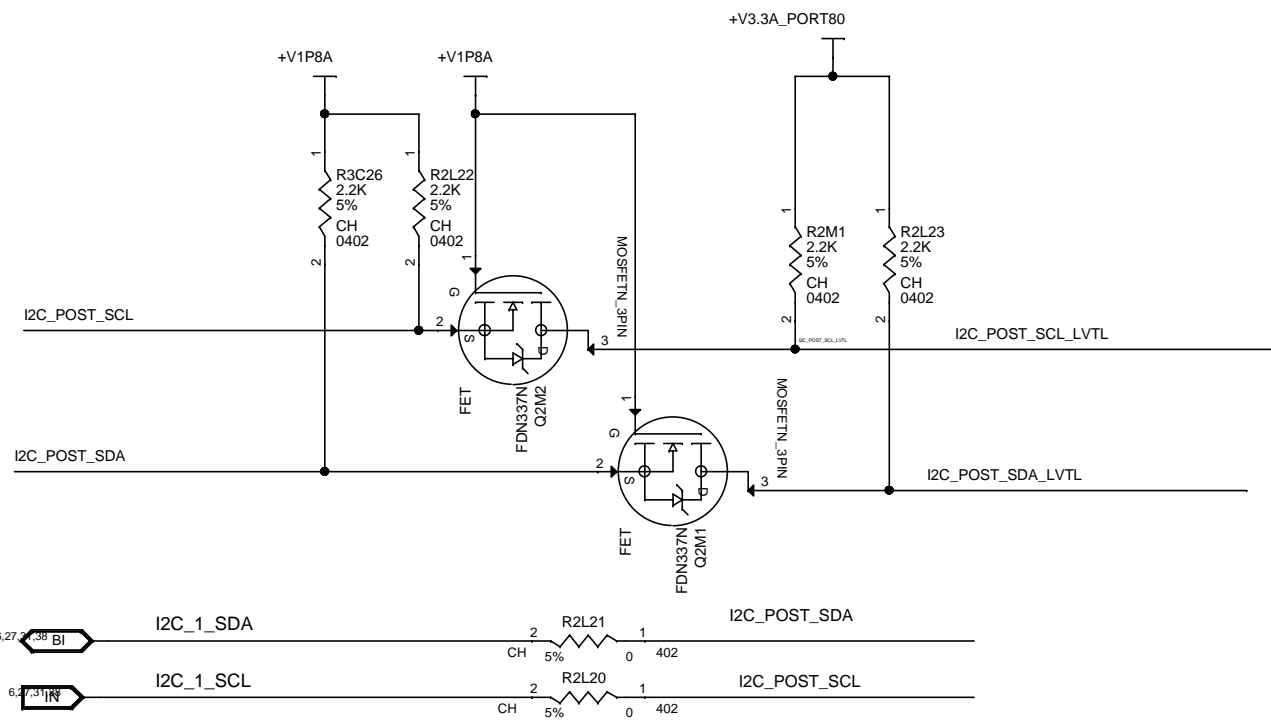
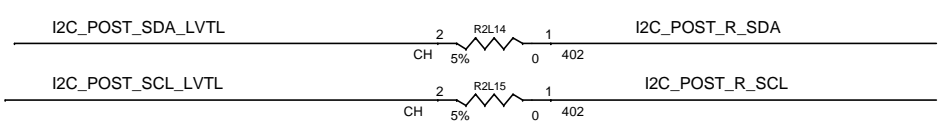
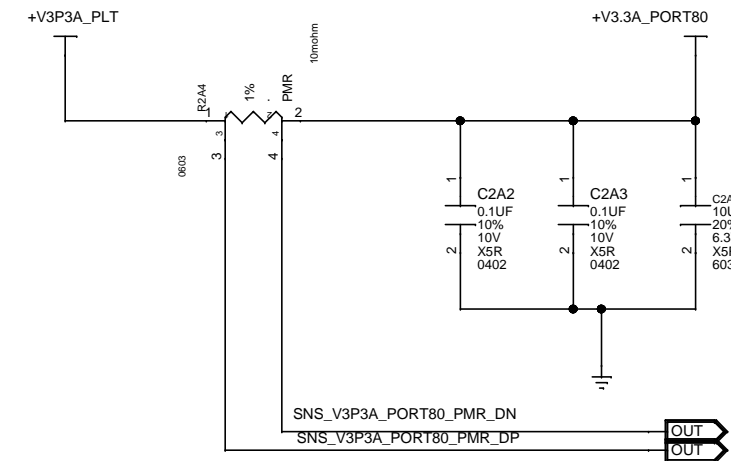
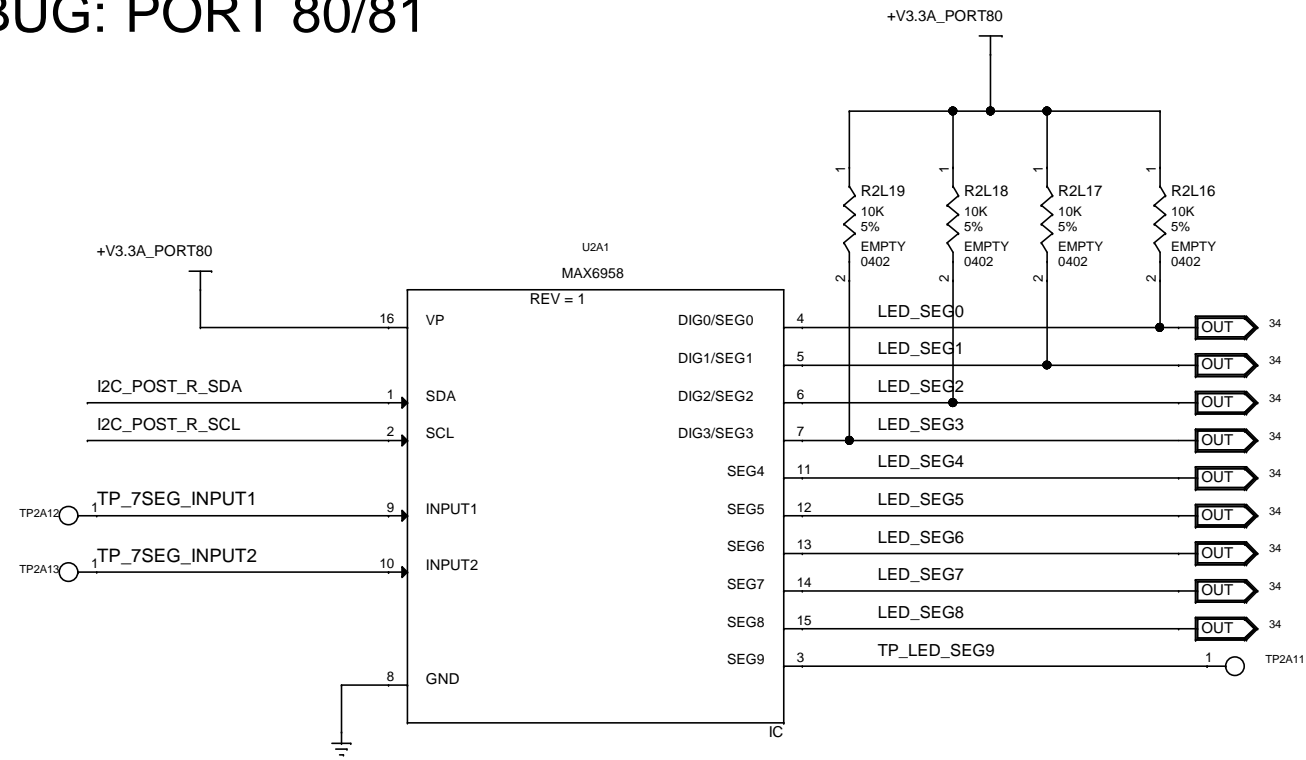
DOCUMENT_NUMBER	PAGE	REV
<DOCUMENT_NUMBER>	33	1.0

CUSTOM TEXT BPAGE

DEBUG: PORT 80/81

MODULE REV DETAILS

MODULE NAME	REV	DATE



BPAGE DRAWING

sagn_bytcr_mrd.+V3.3.34
Tue Jun 10 07:27:02 2014

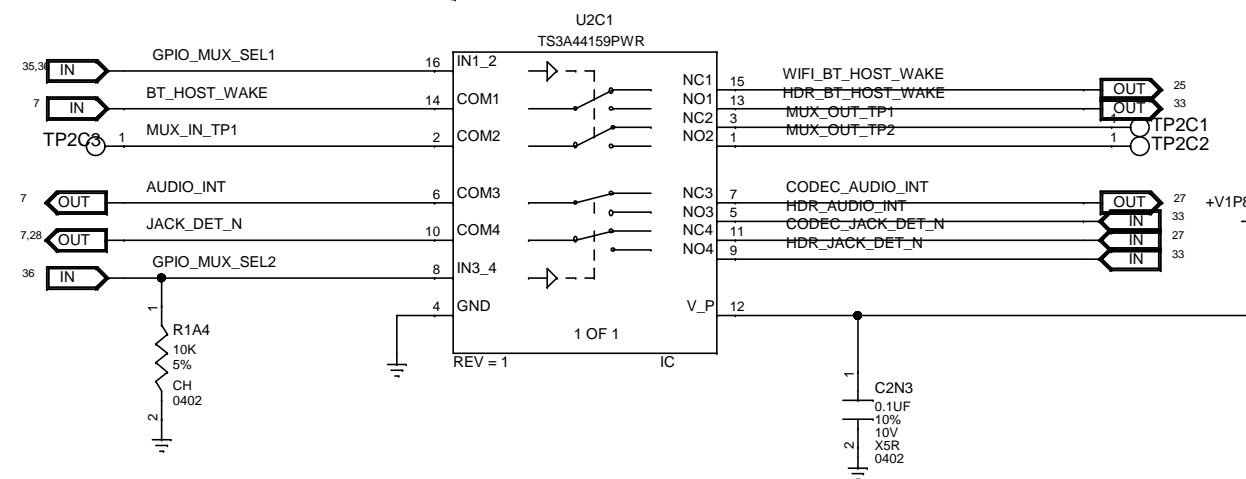
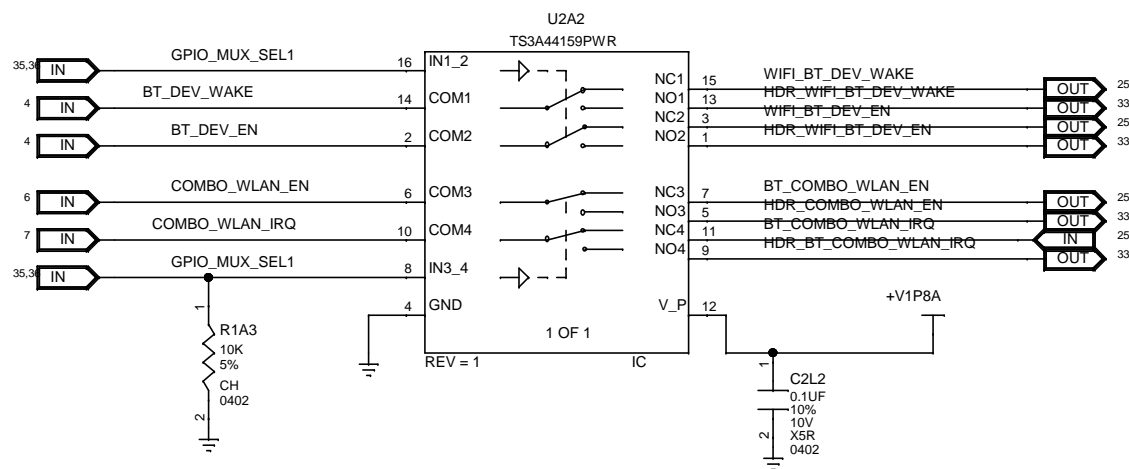
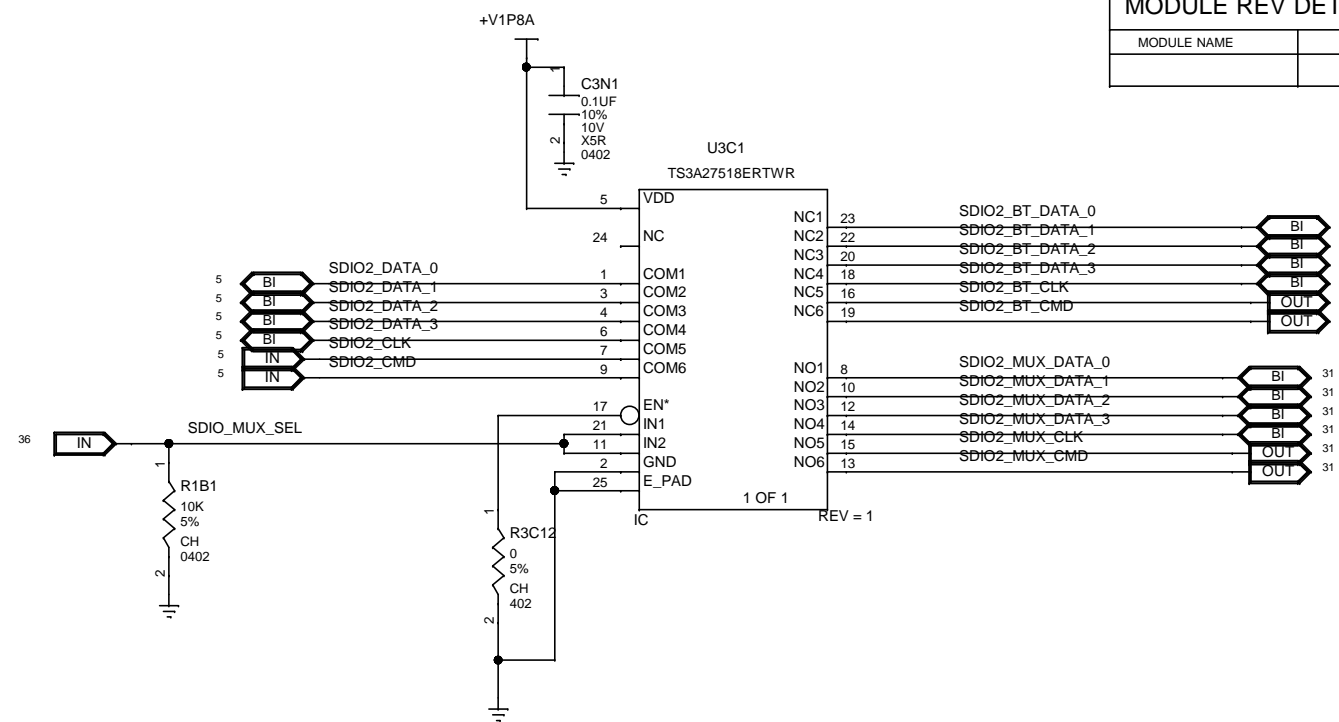
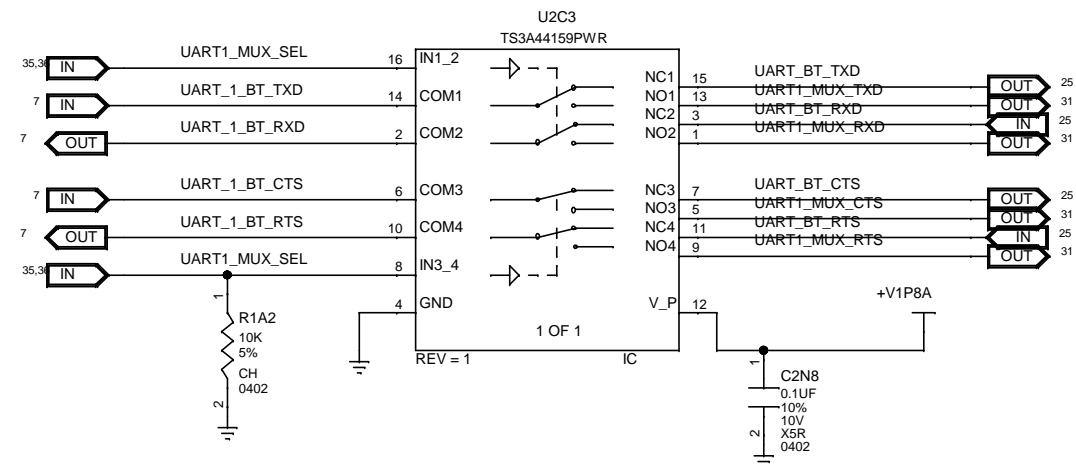
DOCUMENT_NUMBER	PAGE	REV
<DOCUMENT_NUMBER>	34	1.0

CUSTOM TEXT BPAGE

MUX FOR I2S,UART,SDIO

MODULE REV DETAILS

MODULE NAME	REV	DATE



\$CDS_IMAGE|clipboard_2_3.jpg|2729|806

\$CDS_IMAGE|clipboard_3_2.jpg|3684|817

BPAGE DRAWING

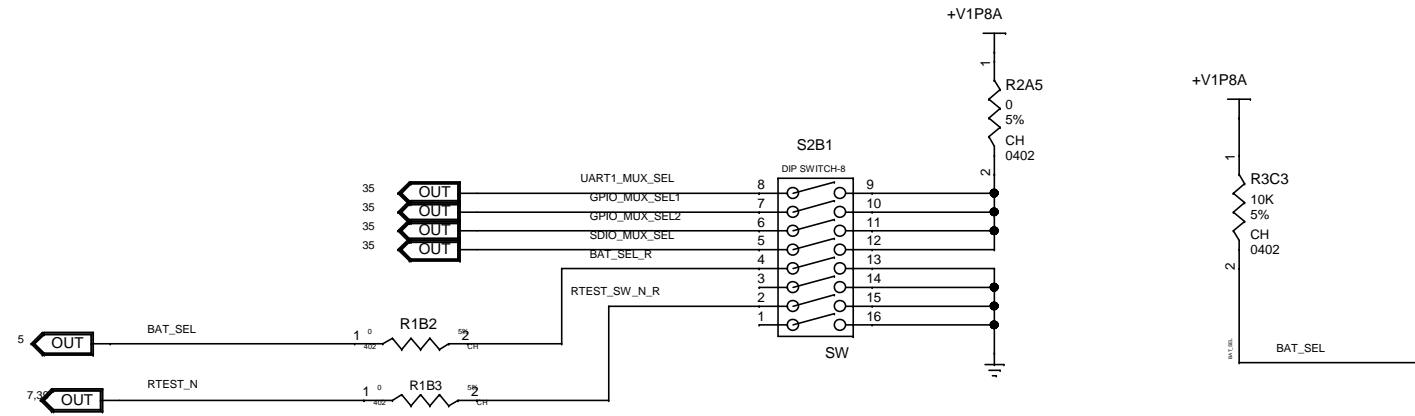
ssgn_bytcr_mrd.GND
Tue Jun 10 07:26:54 2014

DOCUMENT_NUMBER	PAGE	REV
<DOCUMENT_NUMBER>	35	1.0

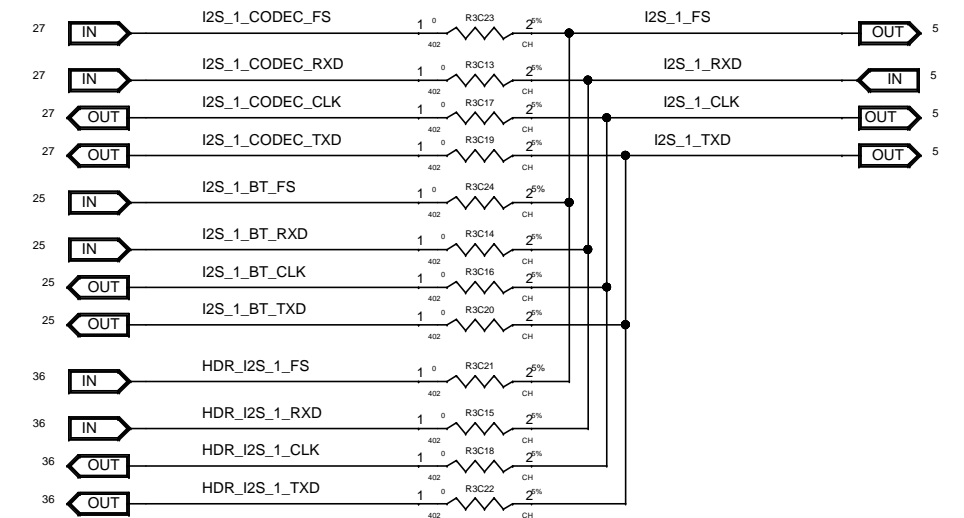
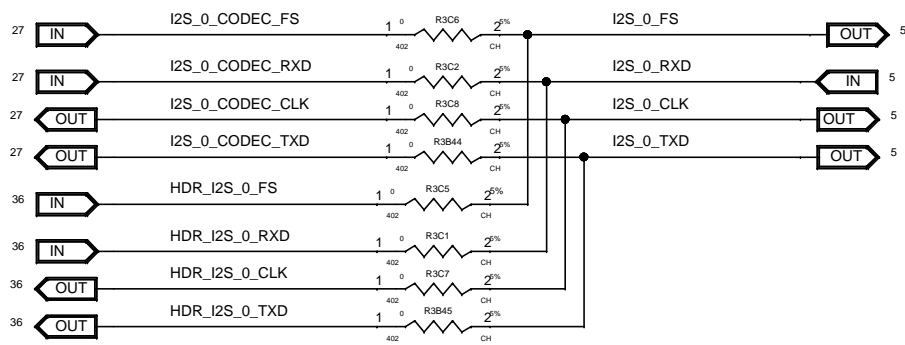
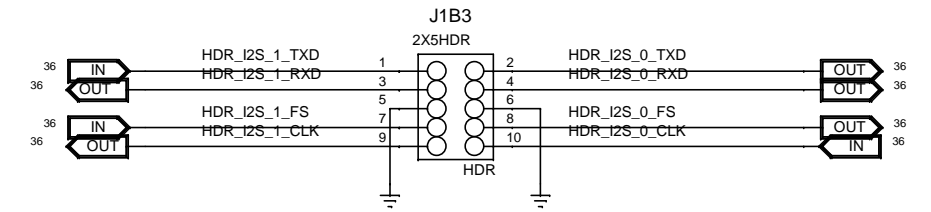
MODULE REV DETAILS

MODULE NAME	REV	DATE

I2S0 AND I2S1



I2S0, I2S1 CONN



BPAGE DRAWING

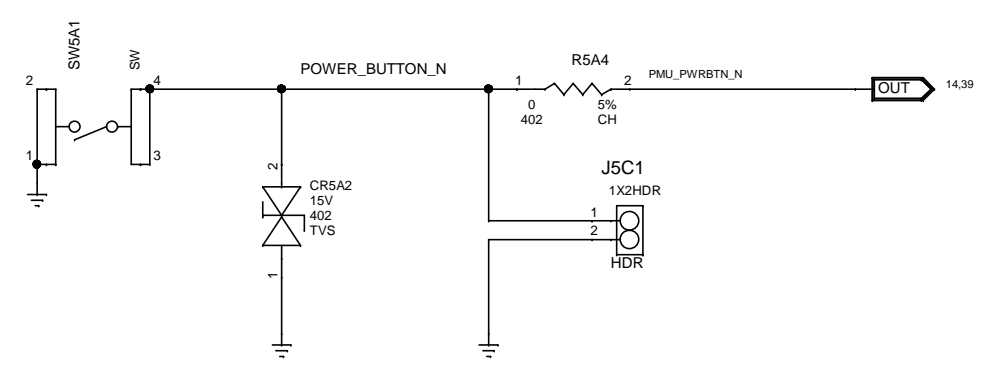
ssgn_bytcr_mrd.GND
Tue Jun 10 07:26:55 2014

DOCUMENT_NUMBER	PAGE	REV
<DOCUMENT_NUMBER>	36	1.0

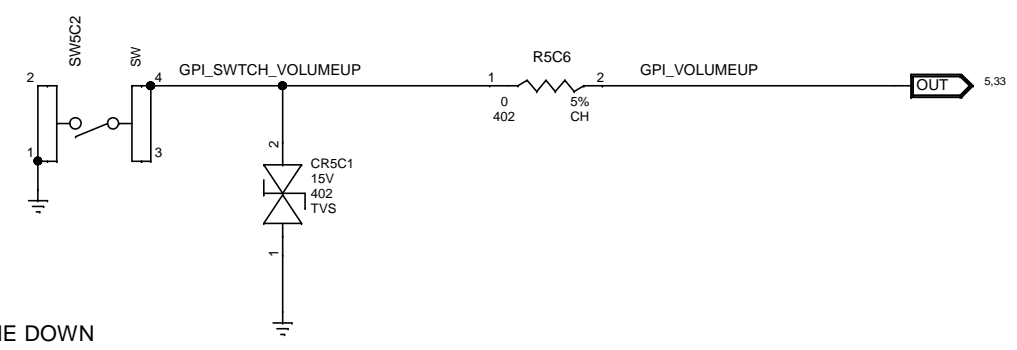
SWITCHES

MODULE REV DETAILS		
MODULE NAME	REV	DATE

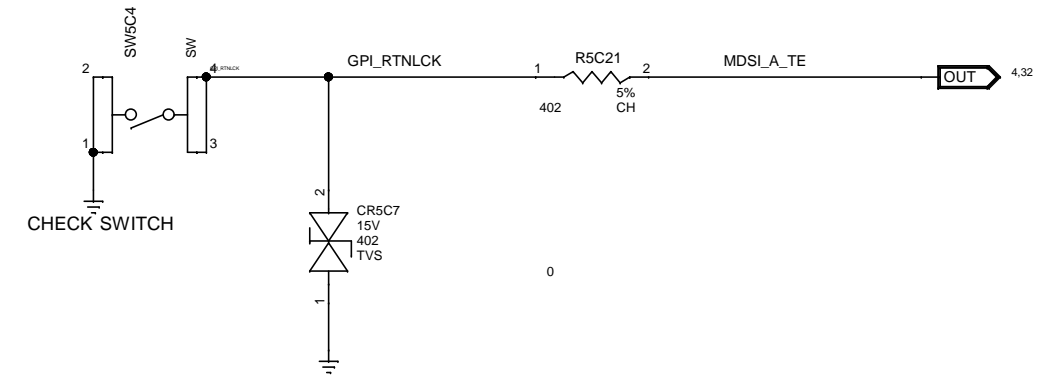
POWER BUTTON



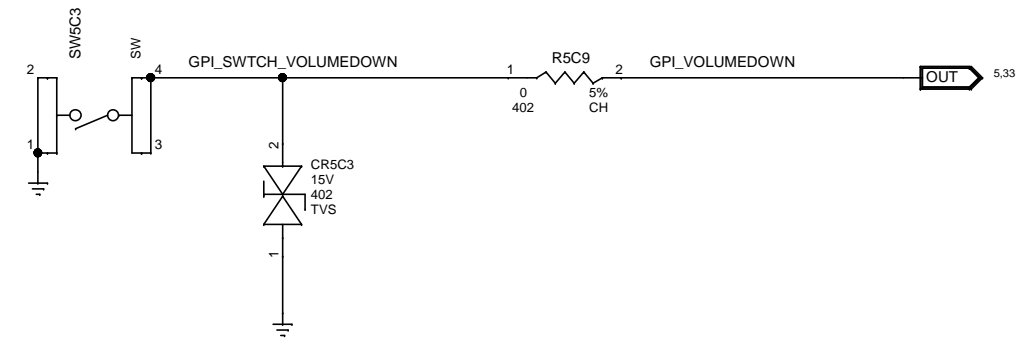
VOLUME UP



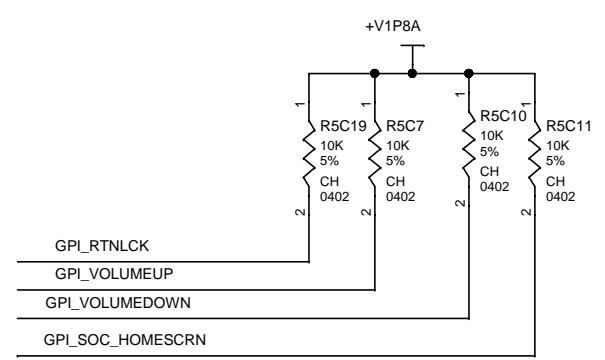
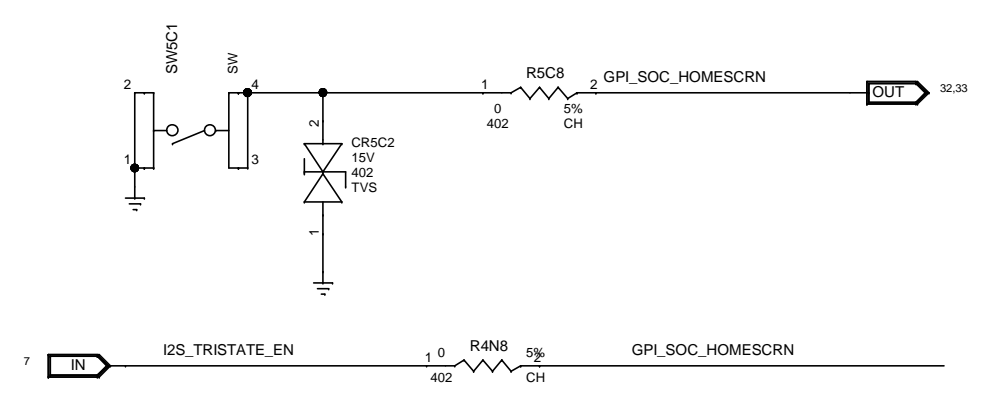
ROTATION LOCK



VOLUME DOWN



HOMESCRN BUTTON



BPAGE DRAWING

ssgn_bytcr_mrd.GND
Tue Jun 10 07:26:54 2014

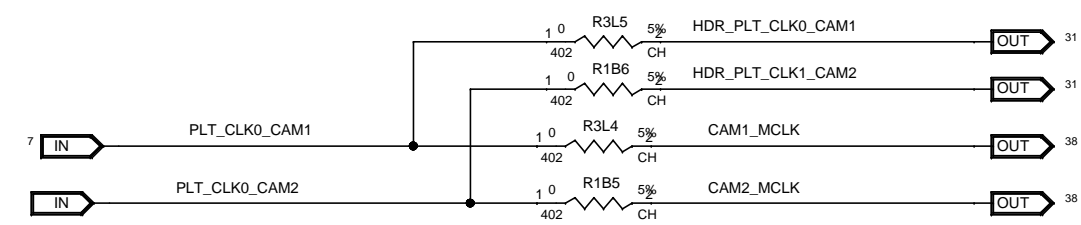
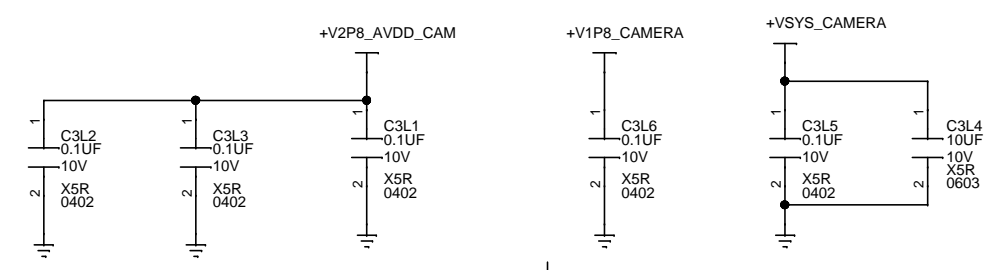
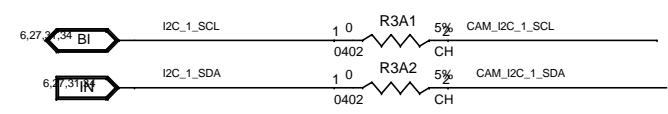
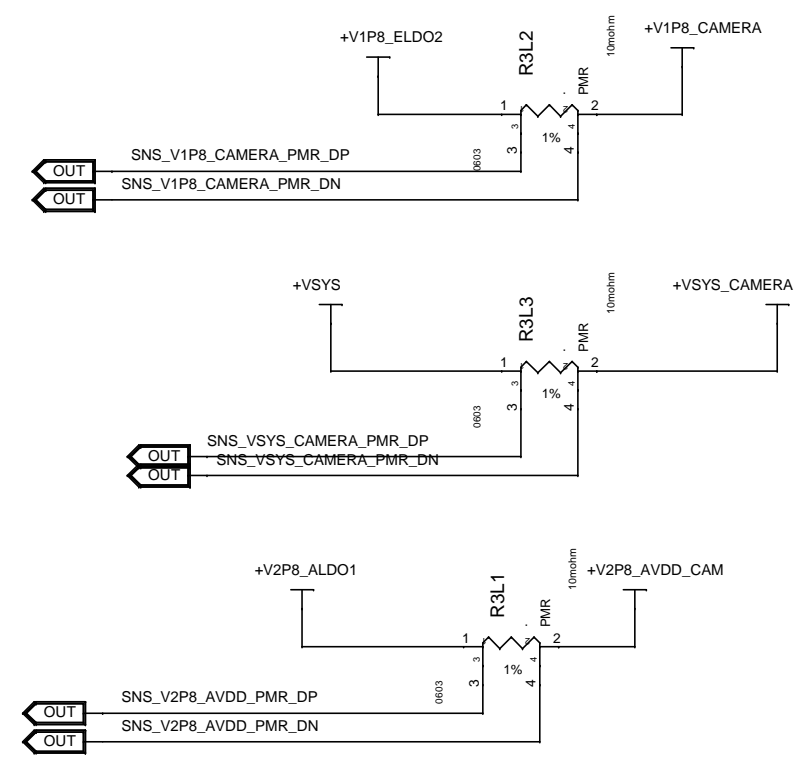
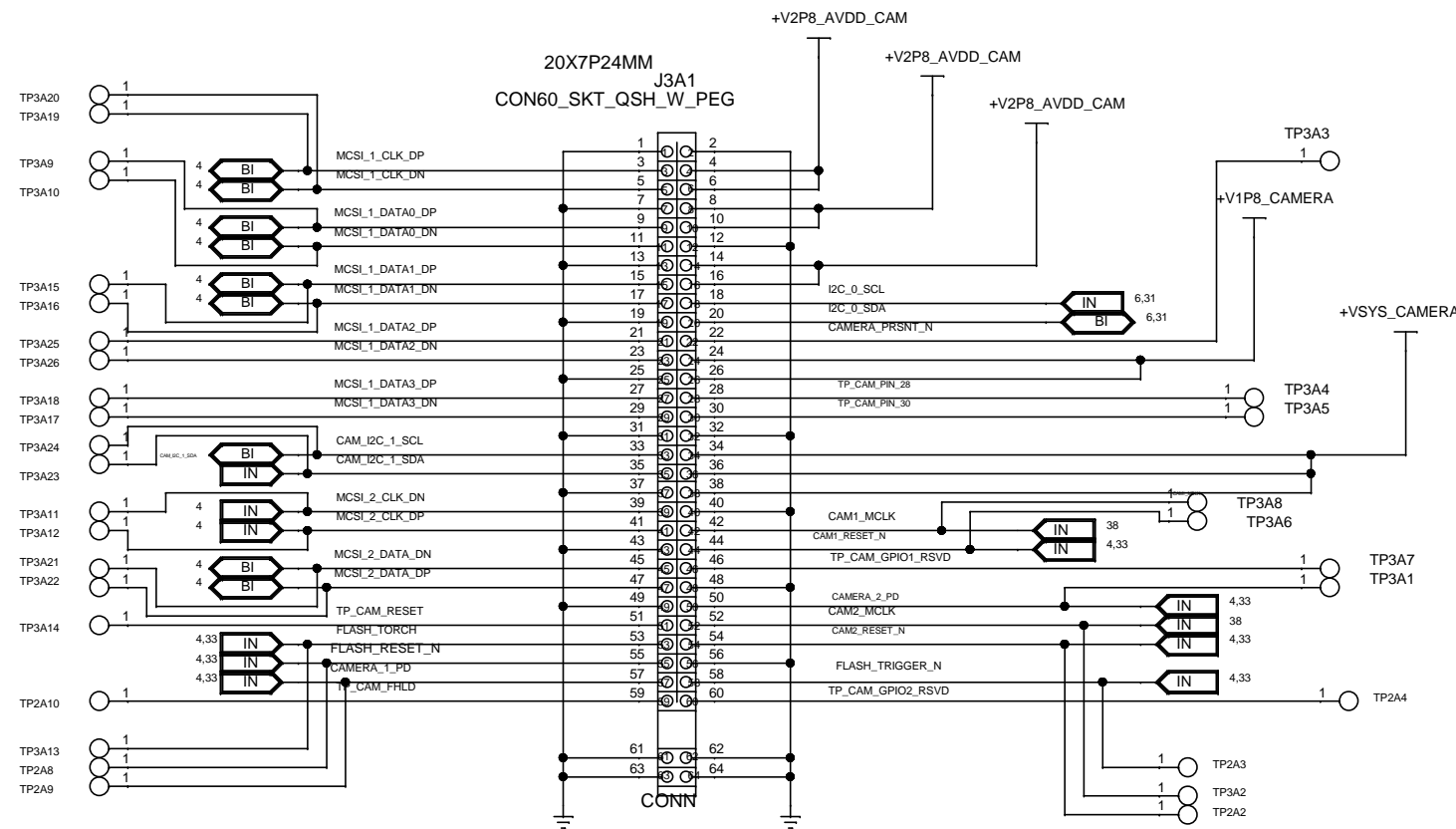
CUSTOM TEXT BPAGE

DOCUMENT_NUMBER	PAGE	REV
<DOCUMENT_NUMBER>	37	1.0

CAMERA CONNECTOR

MODULE REV DETAILS

MODULE NAME	REV	DATE
<DOCUMENT_NUMBER>	38	1.0



BPAGE DRAWING

ssgn_bytcr_mrd.+VSYS.38
Tue Jun 10 07:27:01 2014

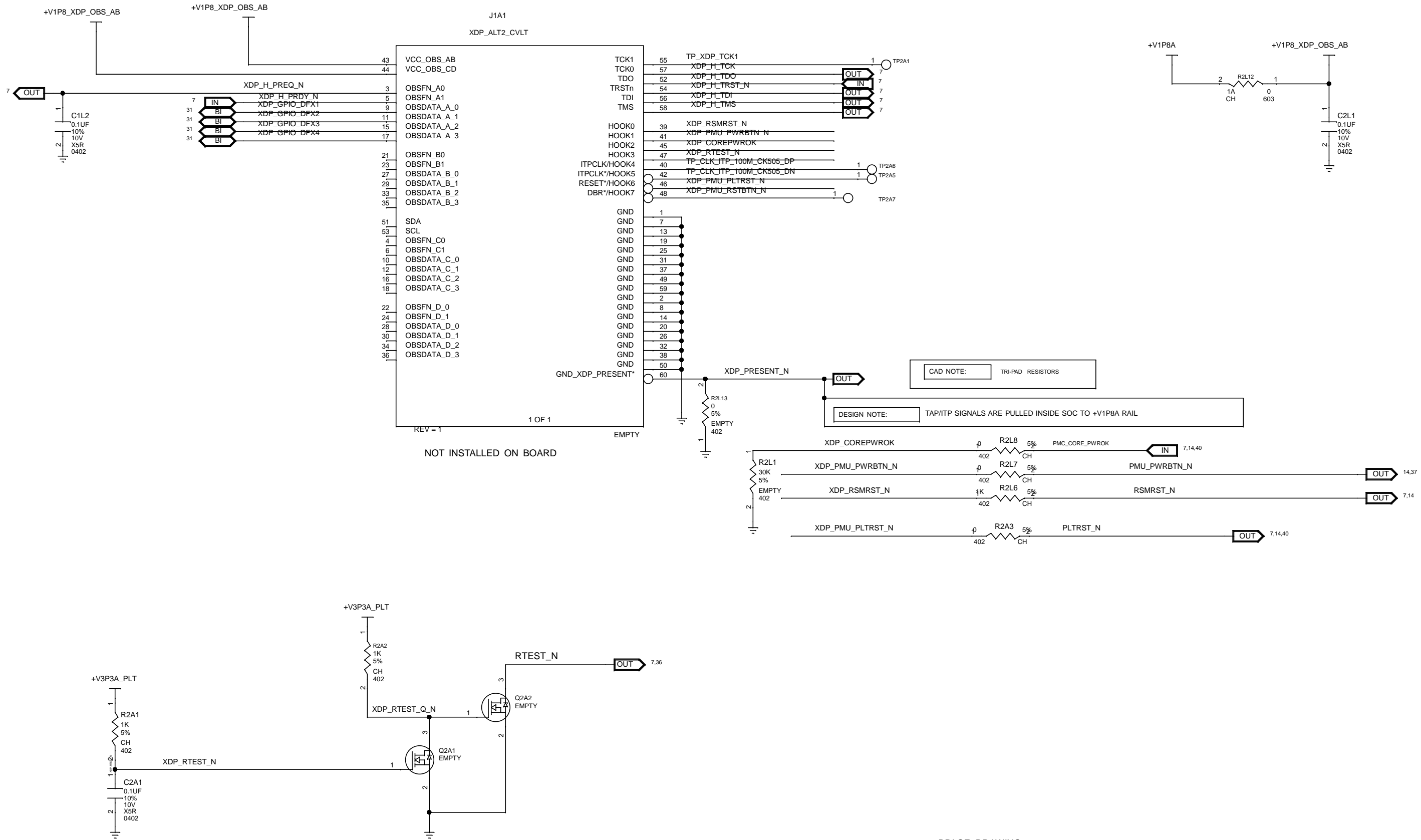
CUSTOM TEXT BPAGE

DOCUMENT_NUMBER	PAGE	REV
<DOCUMENT_NUMBER>	38	1.0

DEBUG: XDP 60PIN CONNECTOR

MODULE REV DETAILS

MODULE NAME	REV	DATE



CAD NOTE: TRI-PAD RESISTORS

DESIGN NOTE: TAP/ITP SIGNALS ARE PULLED INSIDE SOC TO +V1P8A RAIL

NOT INSTALLED ON BOARD

BPAGE DRAWING

ssgn_bytcr_mrd.+v1P8.39
Tue Jun 10 07:27:02 2014

DOCUMENT_NUMBER	PAGE	REV
<DOCUMENT_NUMBER>	39	1.0

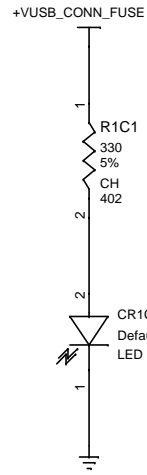
CUSTOM TEXT BPAGE

PLATFORM LEDS

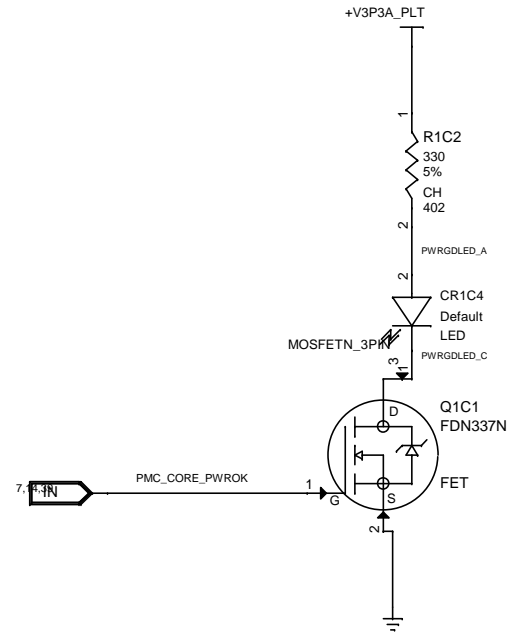
MODULE REV DETAILS

MODULE NAME	REV	DATE

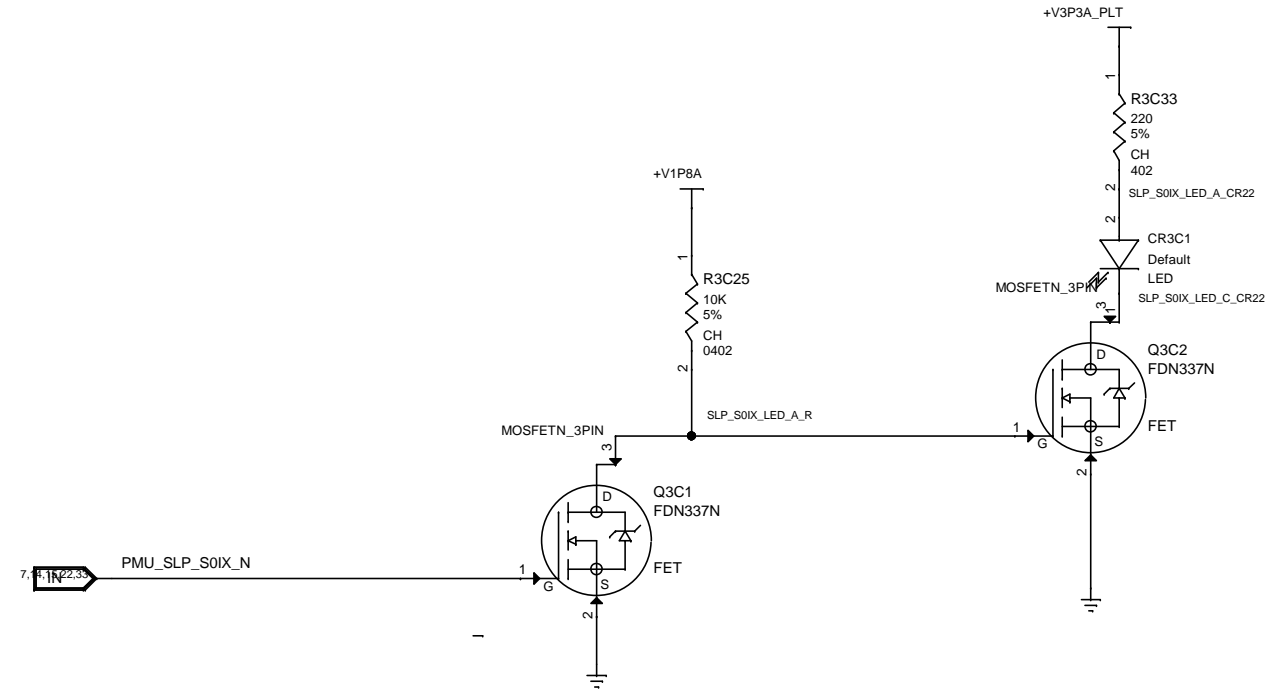
POWER ON LED



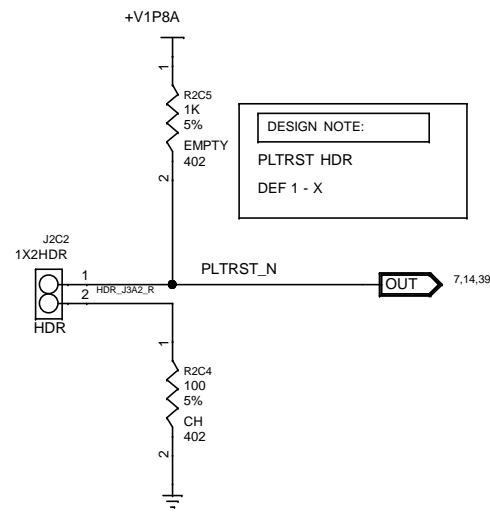
POWERGOOD LED



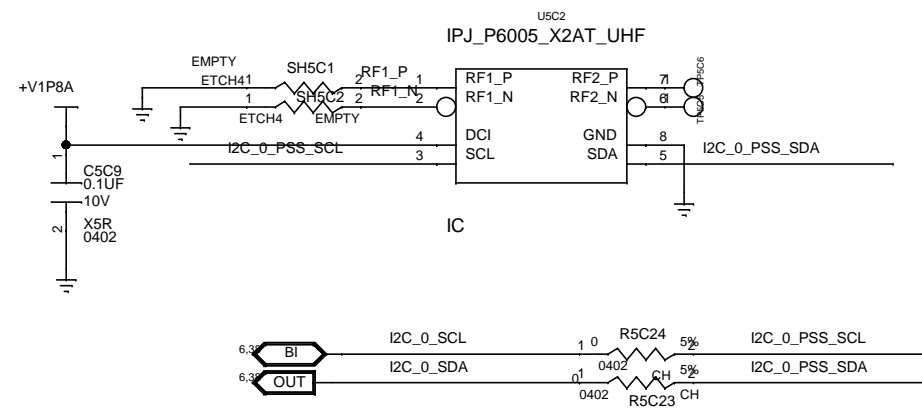
S0IX LED



PLTRST JUMPER



PSS



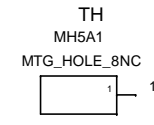
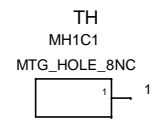
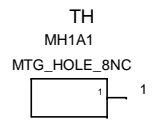
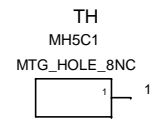
BPAGE DRAWING

ssgn_bytcr_mrd.GND
Tue Jun 10 07:26:54 2014

CUSTOM TEXT BPAGE

DOCUMENT_NUMBER	PAGE	REV
<DOCUMENT_NUMBER>	40	1.0

MOUNTING HOLES



BPAGE DRAWING

ssgn_bytcr_mrd_
Tue Jun 10 07:27:01 2014

NO PAGE TITLE

VARIANT: <VARIANT>	DOCUMENT_NUMBER <DOCUMENT_NUMBER>	REV 1.0	PAGE 41/42
-----------------------	--------------------------------------	------------	---------------

D

D

C

C

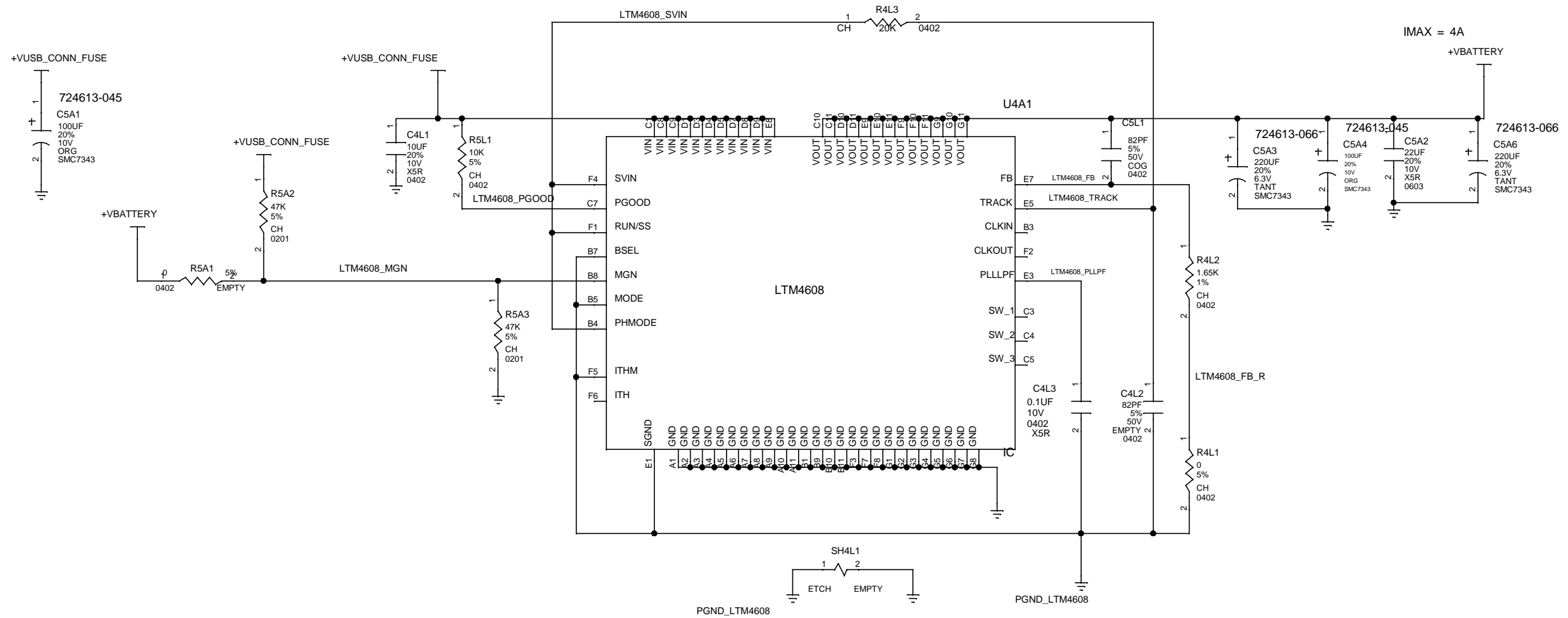
B

B

A

A

5V TO VBATT FOR BATTERY EMULATION



BPAGE DRAWING

ssgn_bytcr_mrd.+VBAT.42
Tue Jun 10 05:31:54 2014

NO PAGE TITLE

VARIANT: <VARIANT>	DOCUMENT_NUMBER <DOCUMENT_NUMBER>	REV 1.0	PAGE 42/42
-----------------------	--------------------------------------	------------	---------------